



# MSA LASHING

SINCE 1983



CONTAINER LASHING EQUIPMENT AND CONTAINER

DOOR FITTINGS / ISO CORNER CASTING

[www.msalashing.com](http://www.msalashing.com)

# 1

## 1. FIXED CONTAINER LASHING

- 1.1 Cone Guide
- 1.2 Eye Plate
- 1.3 Flush Pot
- 1.4 Dovetail Plate
- 1.5 Flat ISO Plate
- 1.6 Breach Socket
- 1.7 Raised ISO Socket Lifting
- 1.8 Raised ISO Socket Sliding
- 1.9 Raised Socket Fixed
- 1.10 Flush ISO Socket

# 2

## 2. LOOSE CONTAINER LASHING

- 2.1 Actuator Poles
- 2.2 Bridge Fittings
- 2.3 Extension Rods
- 2.4 Flat Rack
- 2.5 Lashing Rods
- 2.6 Midlock
- 2.7 Spanners
- 2.8 Storage Bins
- 2.9 Turnbuckles
- 2.10 Dring Removable
- 2.11 Height Adaptors
- 2.12 Pressure Adaptors
- 2.13 Stackers, Convension, Intermediate
- 2.14 Stacker, Safety, Intermediate
- 2.15 Twistlocks, Manual, Bottom
- 2.16 Twistlocks, Manual, Intermediate
- 2.17 Twistlocks, Semi Automatic, Intermediate
- 2.18 Twistlock Linkage Plates
- 2.19 Twistlock Spares



# 3

## 3. ISO CONTAINER LIFTING TOOLS

- 3.1 Side Lifting
- 3.2 Top Lifting

# 4

## 4. ISO CONTAINER PARTS

- 4.1 Body Parts
- 4.2 Corner Castings
- 4.3 Door Assembly
- 4.4 Flat Rack Twistlock

# 5

## 5. HATCH COVER SPARES

- 5.1 Hatch Cletas
- 5.2 Rubber Seals
- 5.3 Wedges
- 5.4 Manholes Covers
- 5.5 Wheels

# 6

## 6. PROJECT CARGO EQUIPMENT

- 6.1 H-Beams
- 6.2 Stools
- 6.3 Stopper Plate
- 6.4 Twistlocks, Bottom SideWays
- 6.5 Chain
- 6.6 Chain Binders
- 6.7 Chain Hooks
- 6.8 Lashing Belts
- 6.9 D Ring

**7**

## **7. MOORING ACCESSORIES**

7.1 Anchors and Chain Cables

**8**

## **8. LADDER - CUSTOMS DESIGNED**

8.1 Gangway Ladders

**9**

## **9. PORT EQUIPMENT**

9.1 Lashing Cages

**10**

## **10.FABRICATION - CUSTOM DESIGNED**

10.1 Project Fabrigration

**11**

## **11. CASTINGS, STEEL GRADE- CUSTOM DESIGNED**

11.1 Castings, Steel Grade

# 12

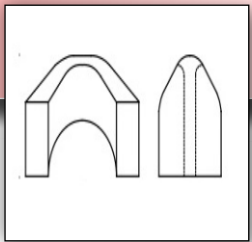
## **12. FORGINGS, STEEL - CUSTOM DESIGNED**

12.1 Steel Forgings

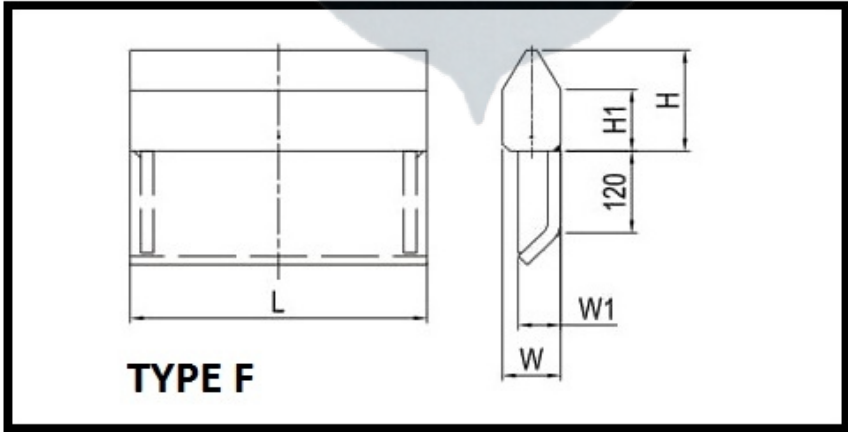
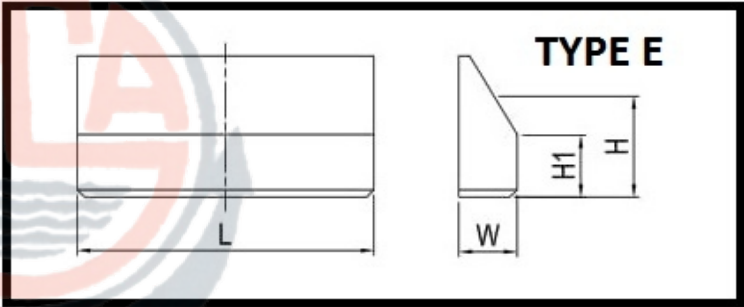
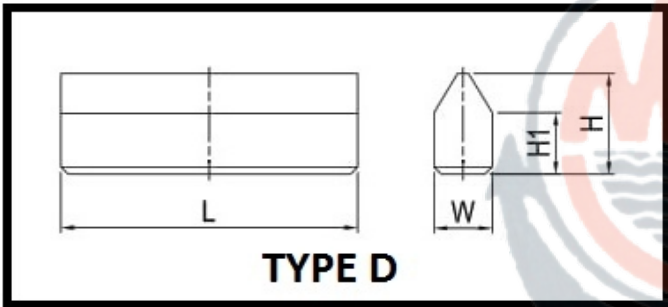
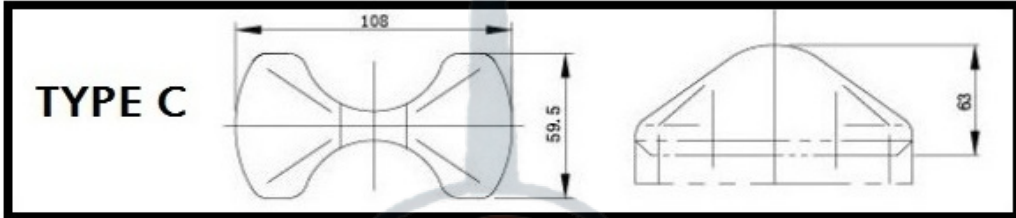
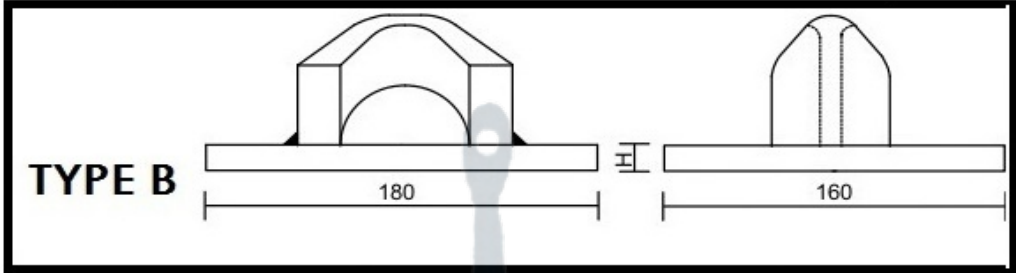
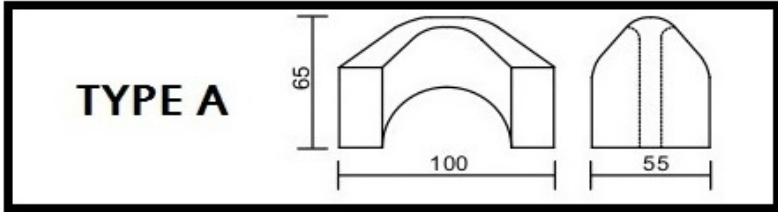
# 13

## **13. RAIL ROAD EQUIPMENT**

13.1 Twistlocks, Fully Automatic Bottom



**DRAWING**

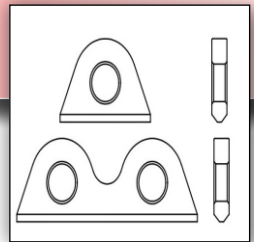


STRENGTH	MBL	SWL
TENSILE	NA	NA

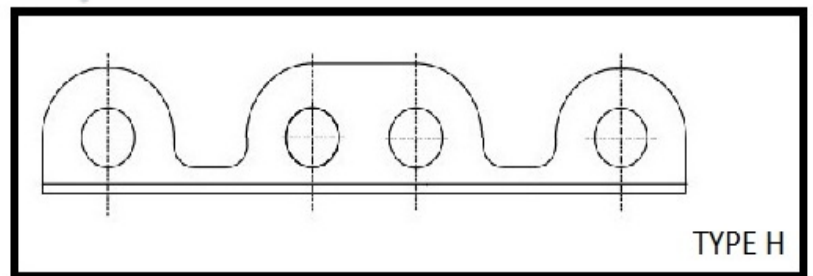
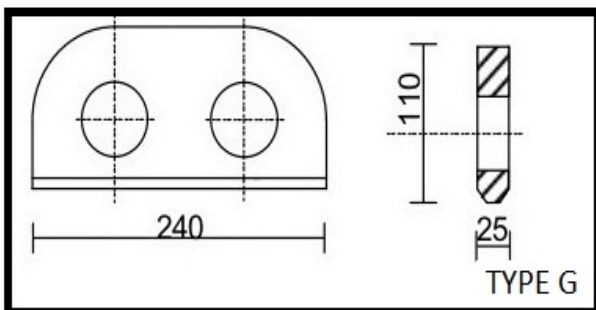
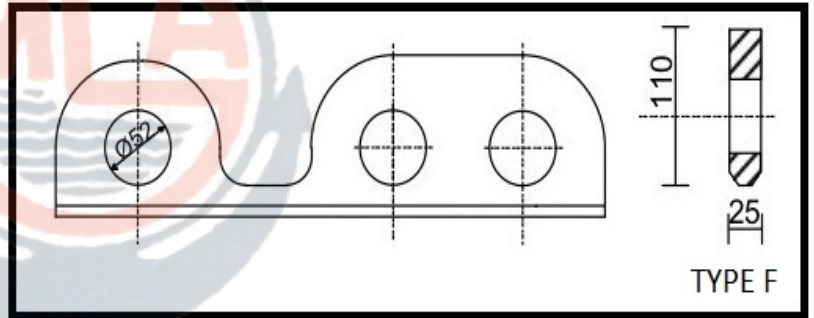
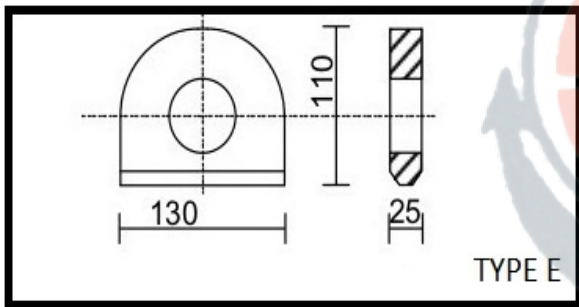
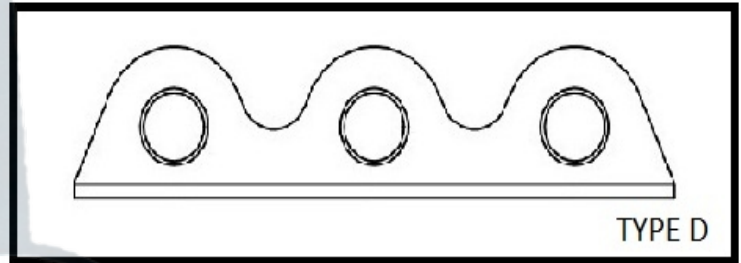
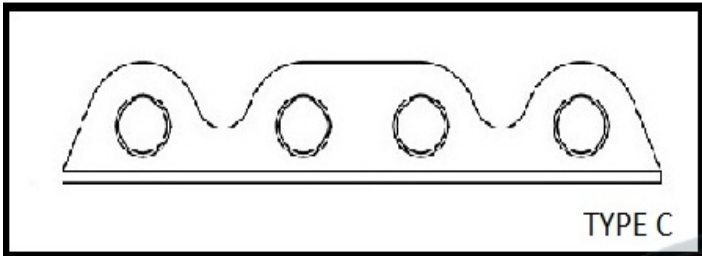
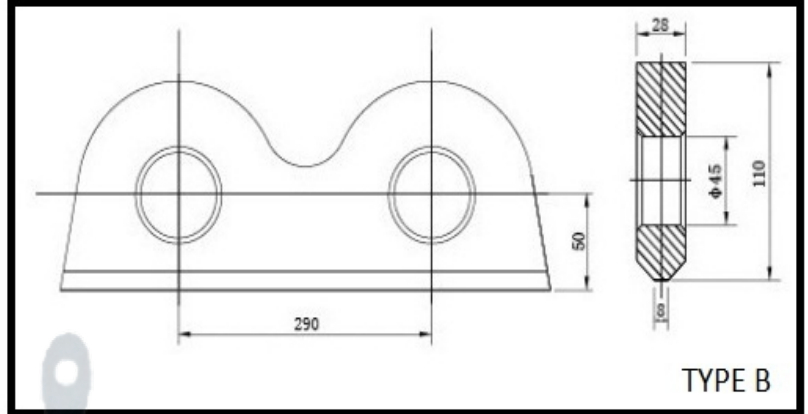
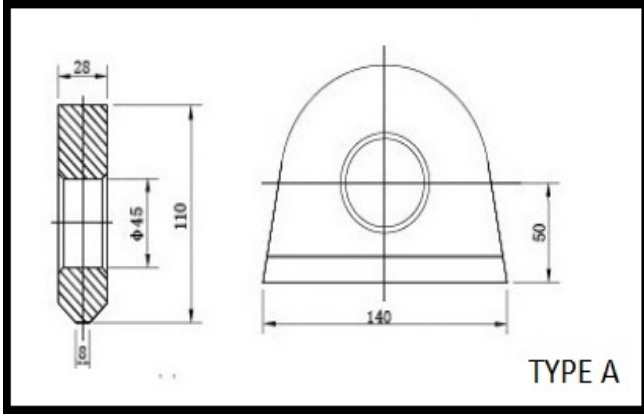
STRENGTH	MBL	SWL
SHEAR	420kN	210kN

STRENGTH	MBL	SWL
COMPRESSION	NA	NA





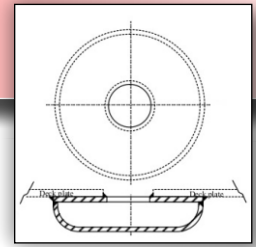
## DRAWING



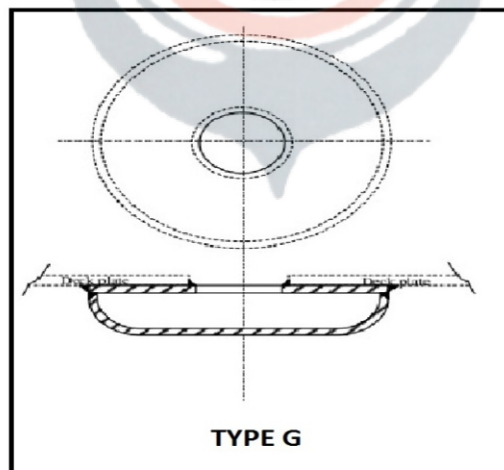
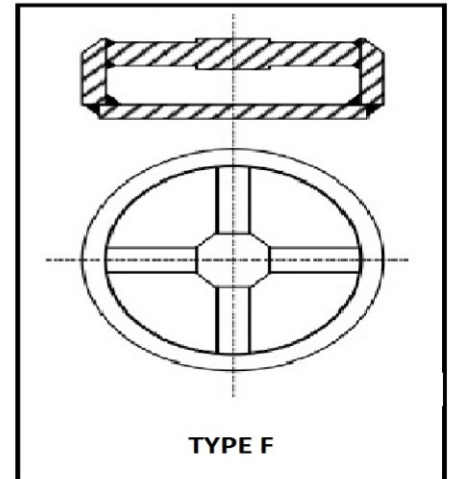
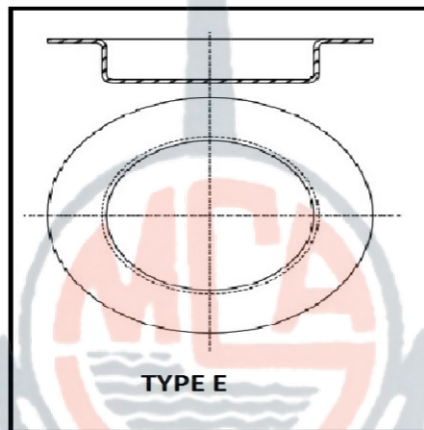
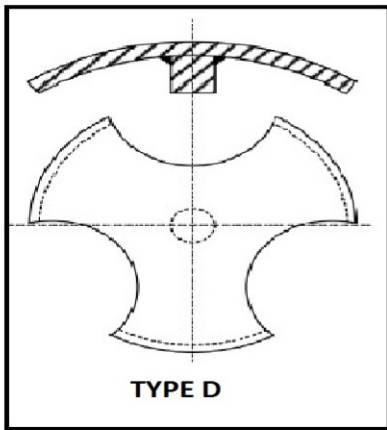
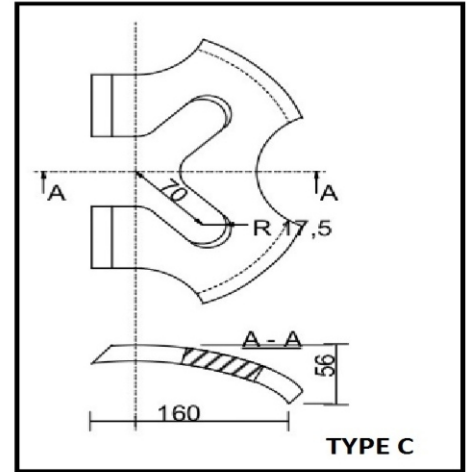
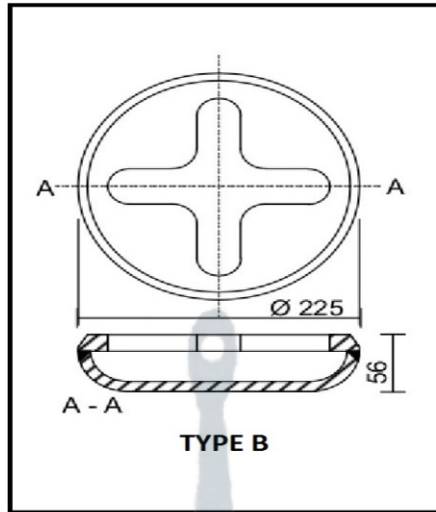
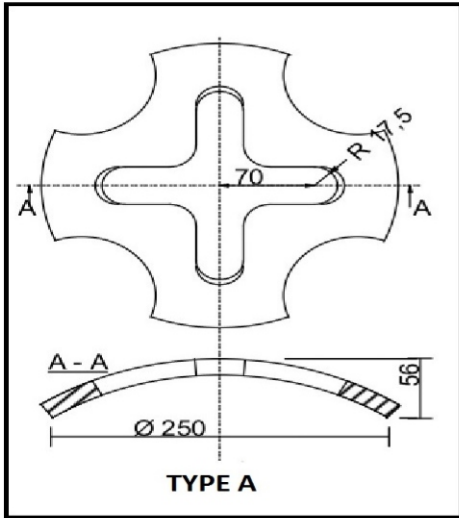
STRENGTH	MBL	SWL
TENSILE	490kN	245kN

STRENGTH	MBL	SWL
SHEAR	NA	NA

STRENGTH	MBL	SWL
COMPRESSION	NA	NA



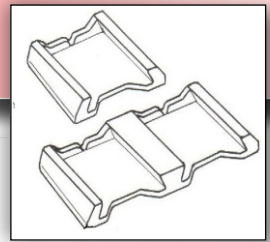
## DRAWING



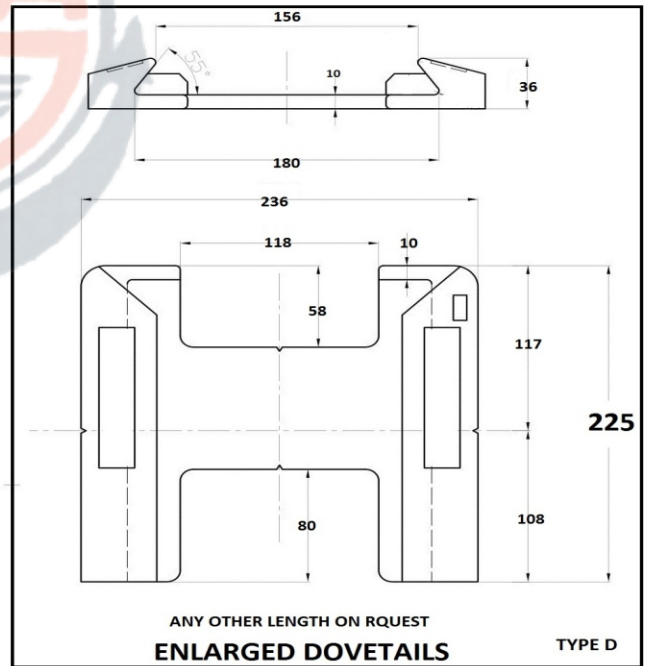
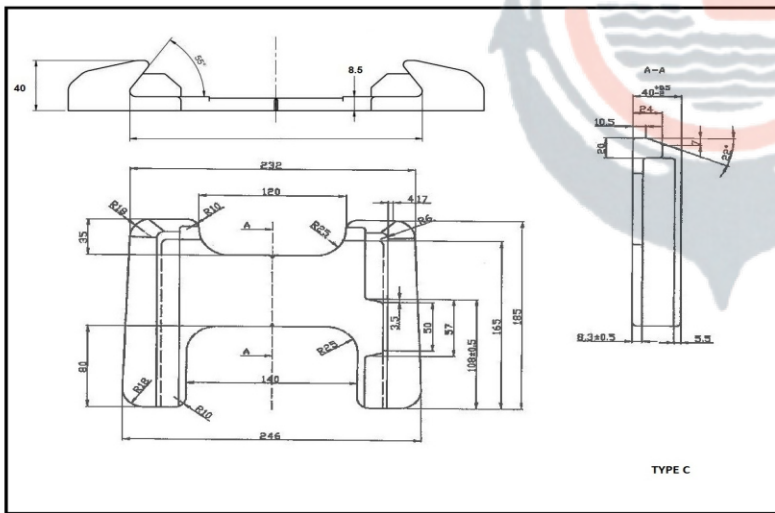
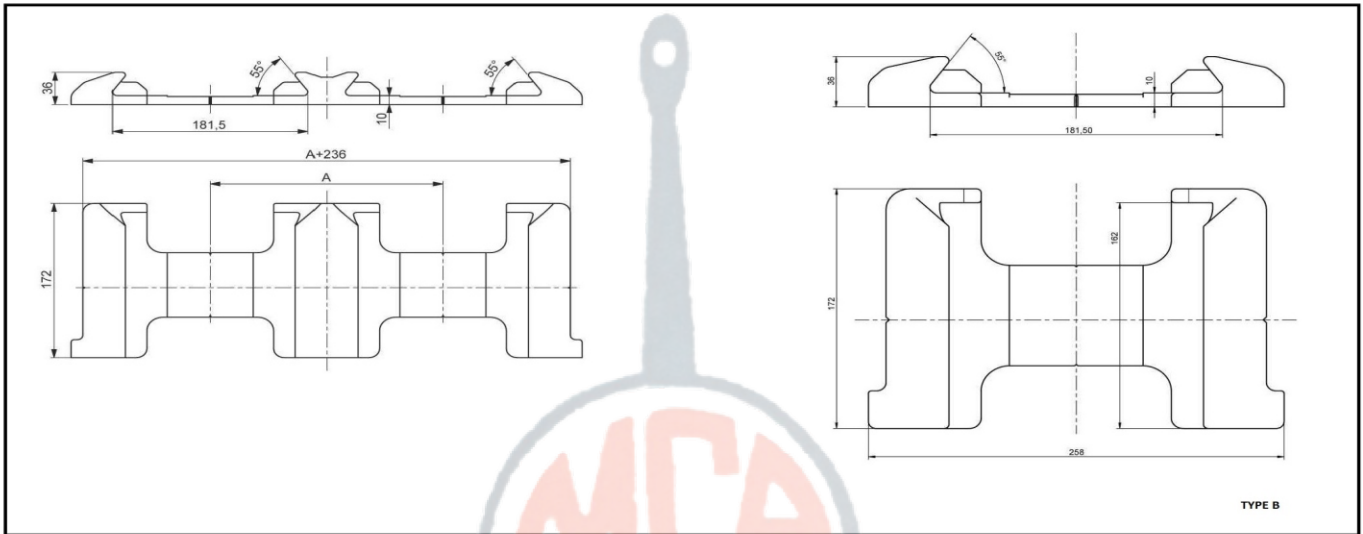
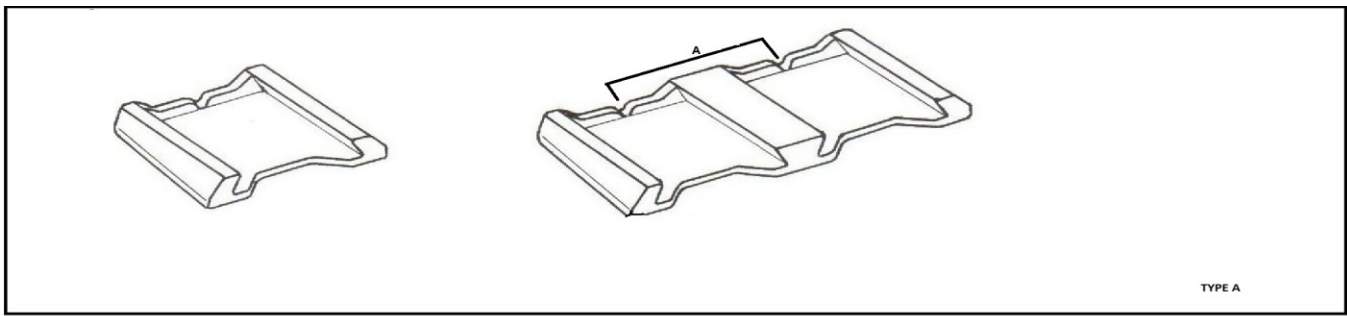
STRENGTH	MBL	SWL
TENSILE	500kN	250kN

STRENGTH	MBL	SWL
SHEAR	NA	NA

STRENGTH	MBL	SWL
COMPRESSION	2000kN	1000kN



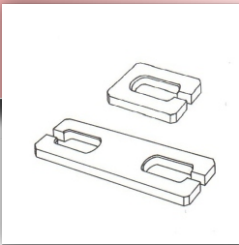
## DRAWING



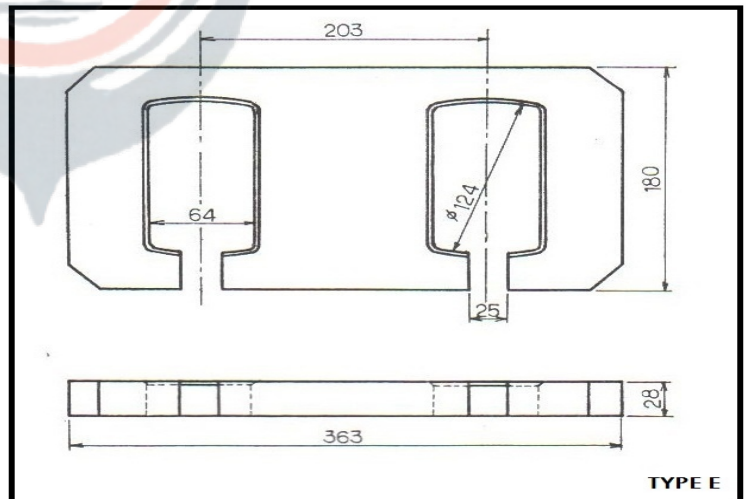
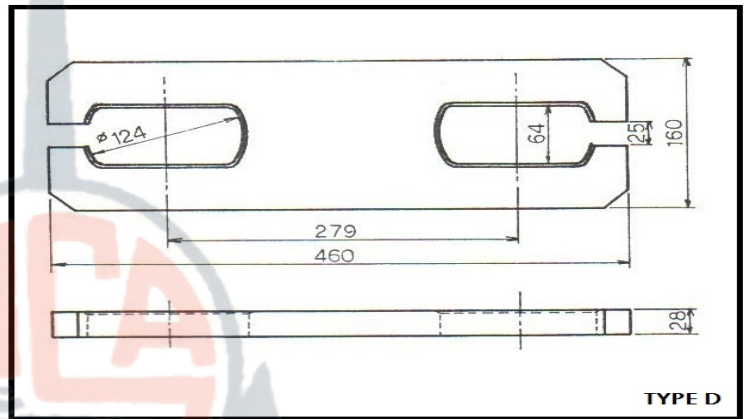
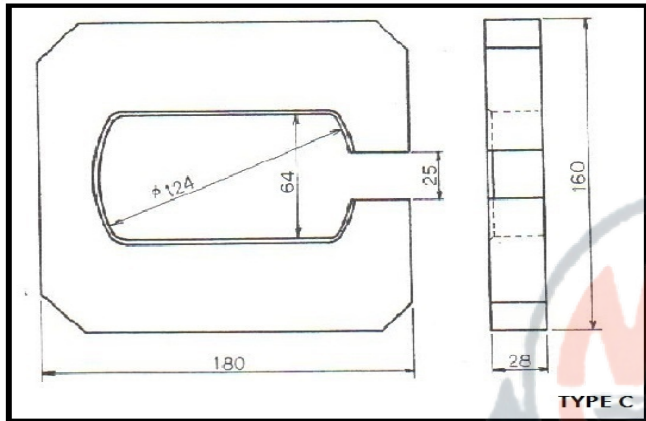
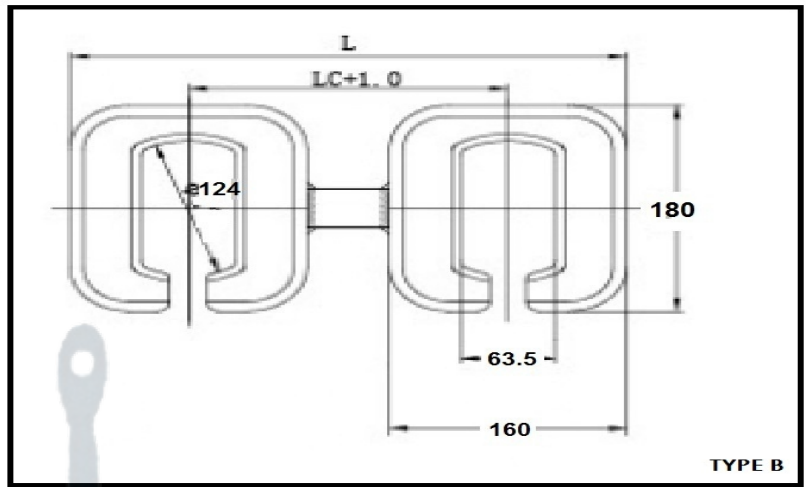
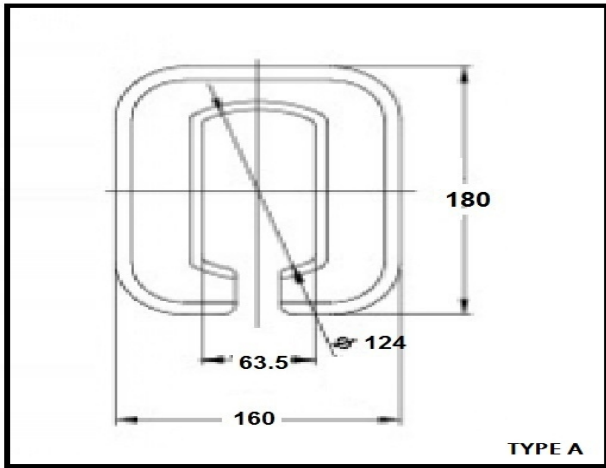
STRENGTH	MBL	SWL
TENSILE	500kN	250kN

STRENGTH	MBL	SWL
SHEAR	420kN	210kN

STRENGTH	MBL	SWL
COMPRESSION	NA	NA



## DRAWING

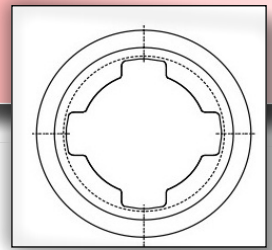


STRENGTH	MBL	SWL
TENSILE	NA	NA

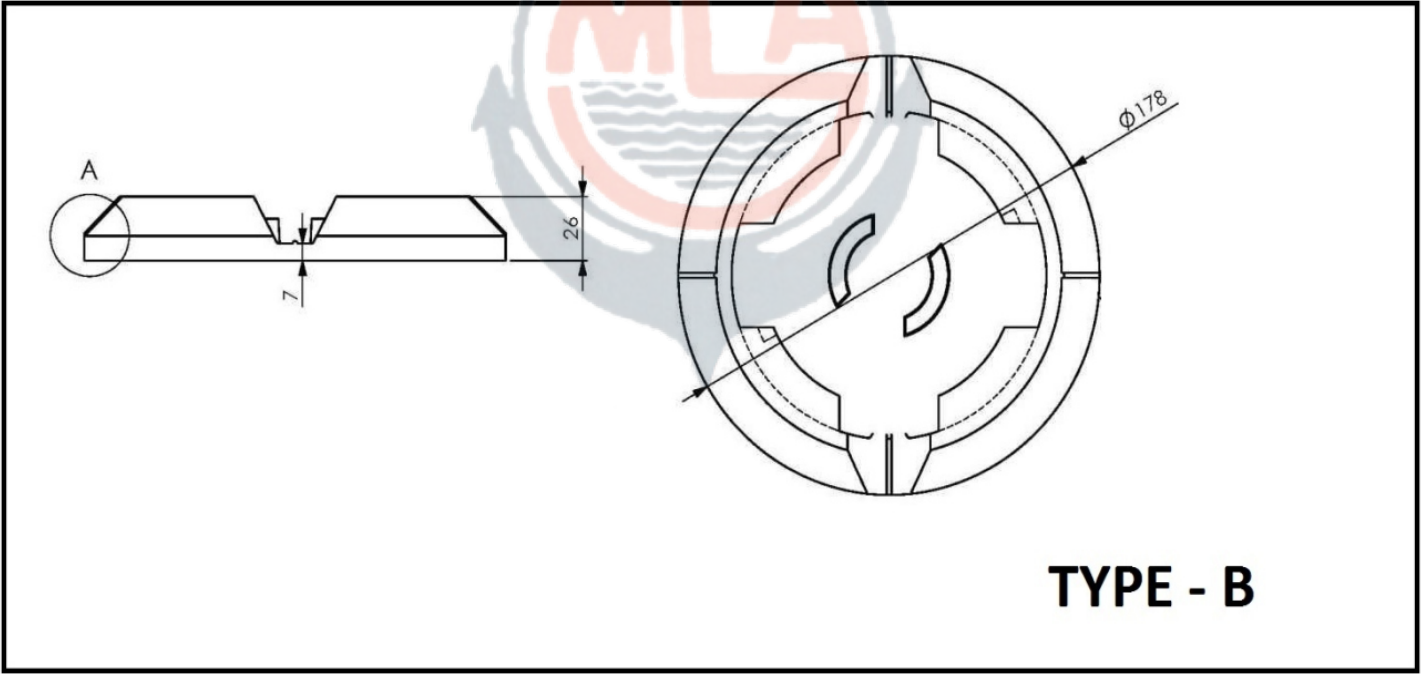
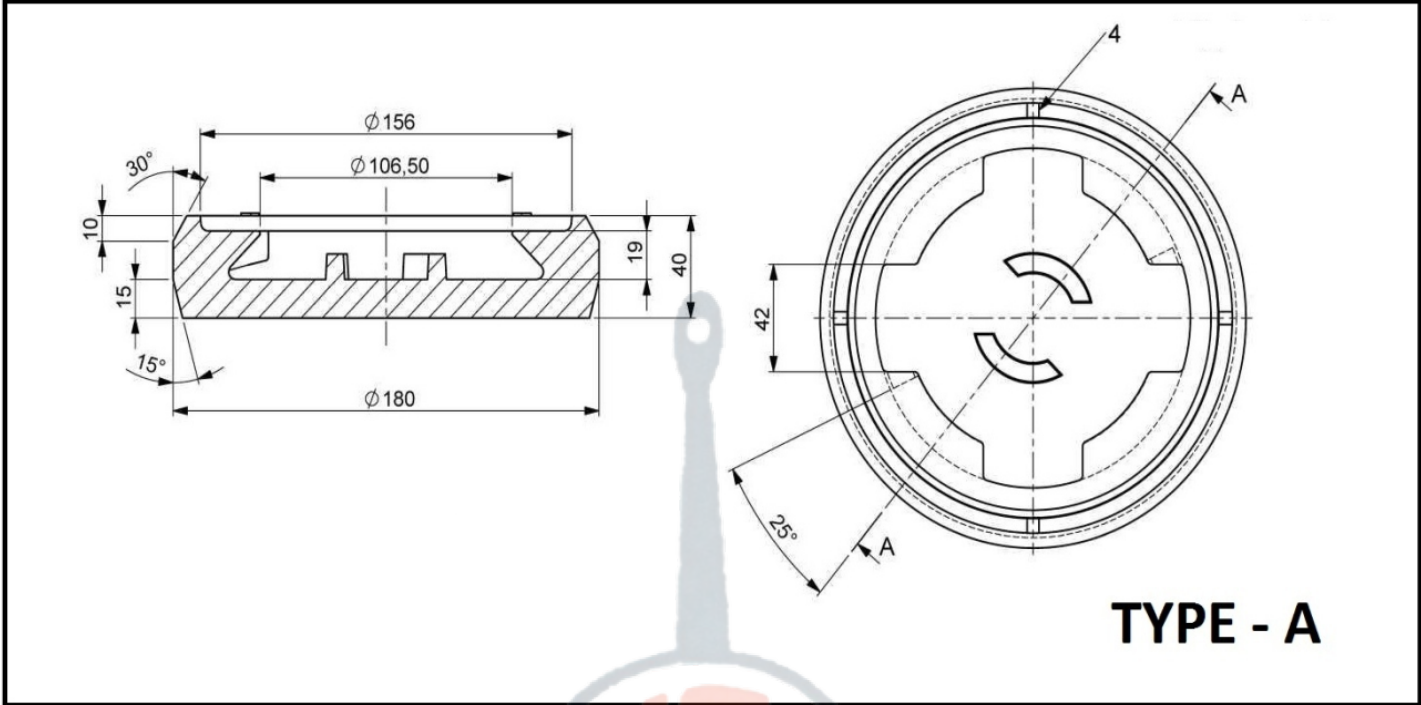
STRENGTH	MBL	SWL
SHEAR	NA	NA

STRENGTH	MBL	SWL
COMPRESSION	2000kN	1000kN





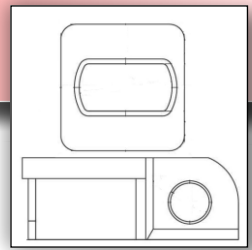
**DRAWING**



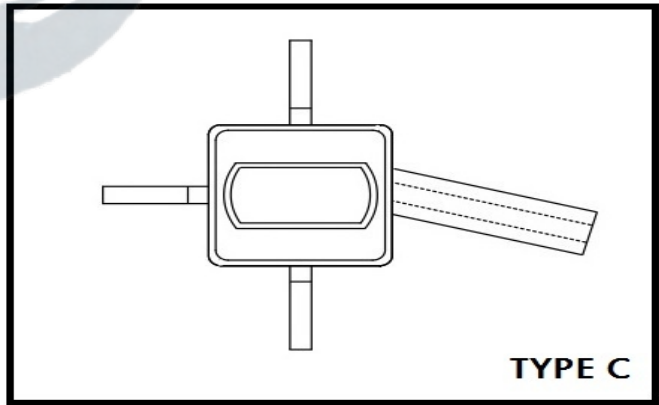
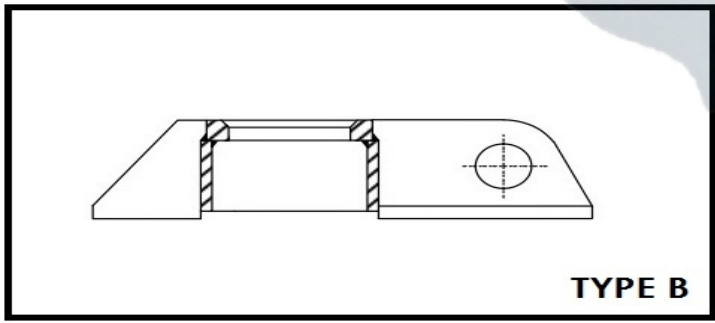
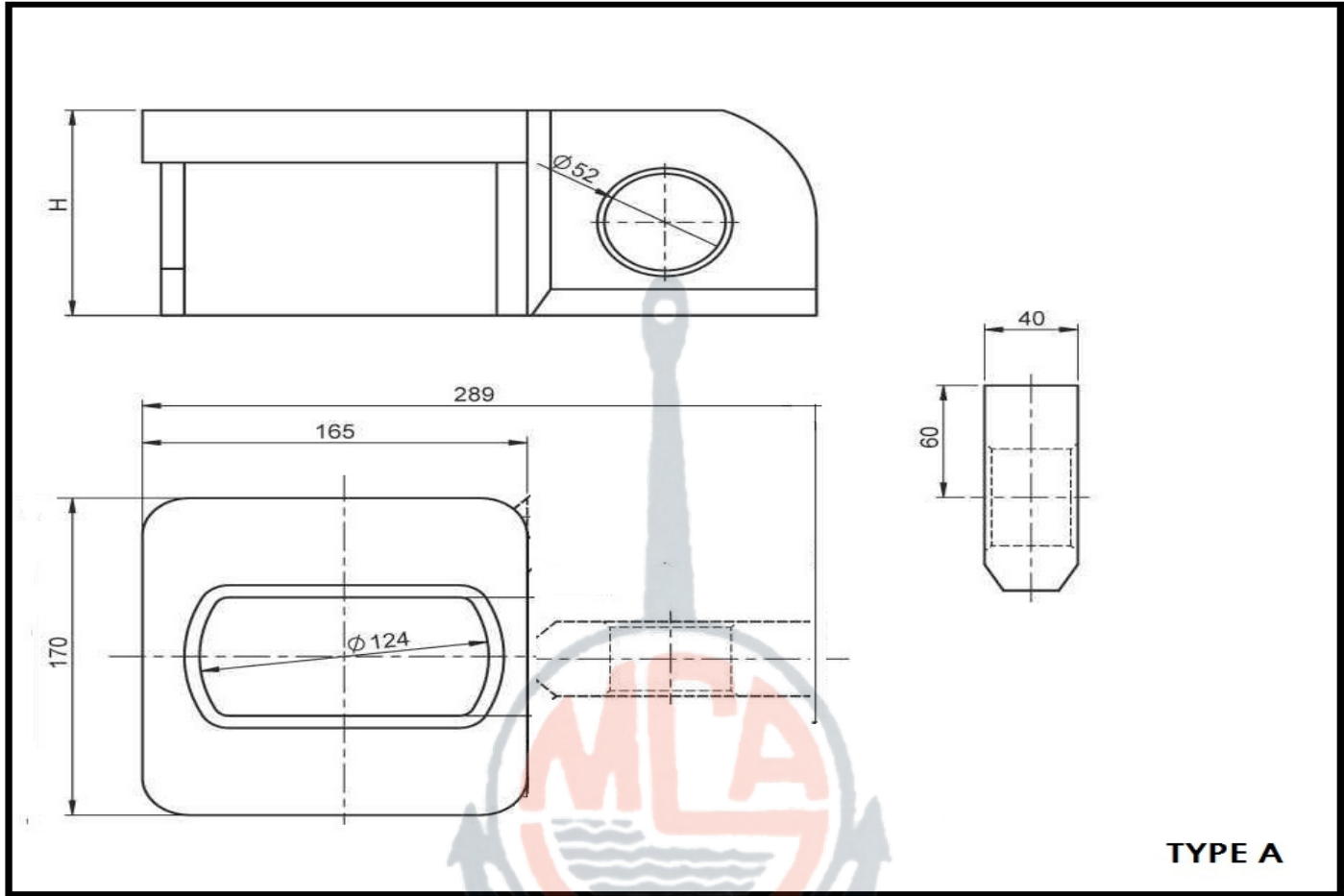
STRENGTH	MBL	SWL
TENSILE	500kN	250kN

STRENGTH	MBL	SWL
SHEAR	NA	NA

STRENGTH	MBL	SWL
COMPRESSION	NA	NA



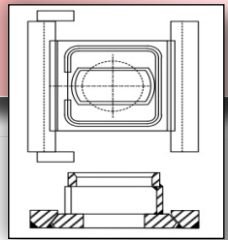
## DRAWING



STRENGTH	MBL	SWL
TENSILE	500kN	250kN

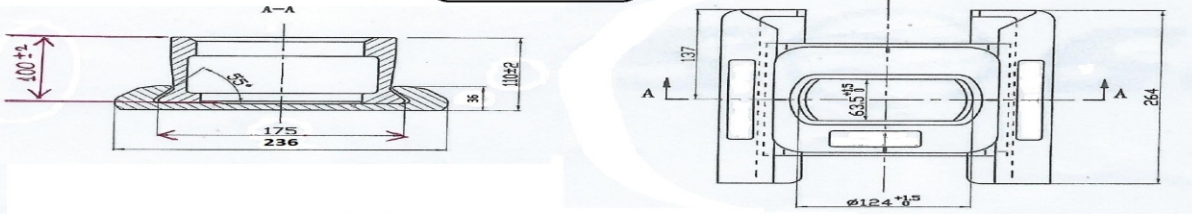
STRENGTH	MBL	SWL
SHEAR	420kN	210kN

STRENGTH	MBL	SWL
COMPRESSION	2000kN	1000kN



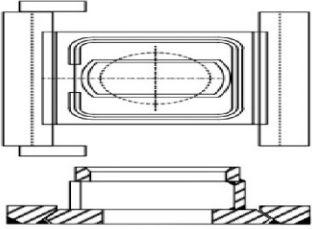
**DRAWING**

**TYPE-A**



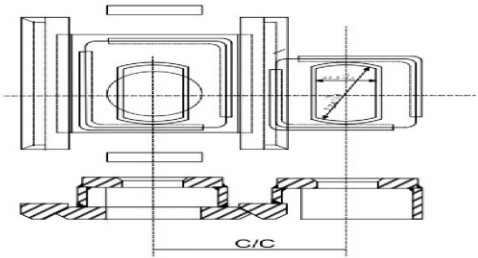
**TRANSVERSE ISO HOLE**

**TYPE-B**



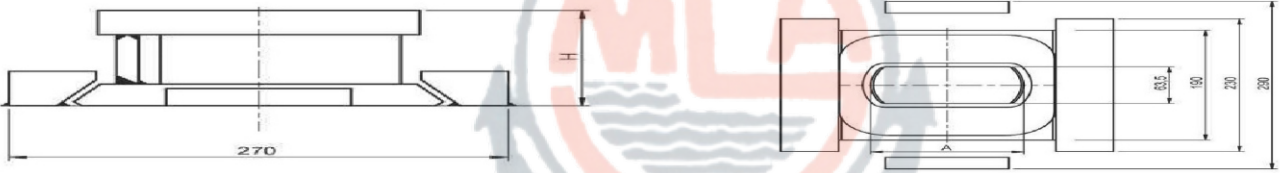
**TRANSVERSE ISO HOLE**

**TYPE-C**



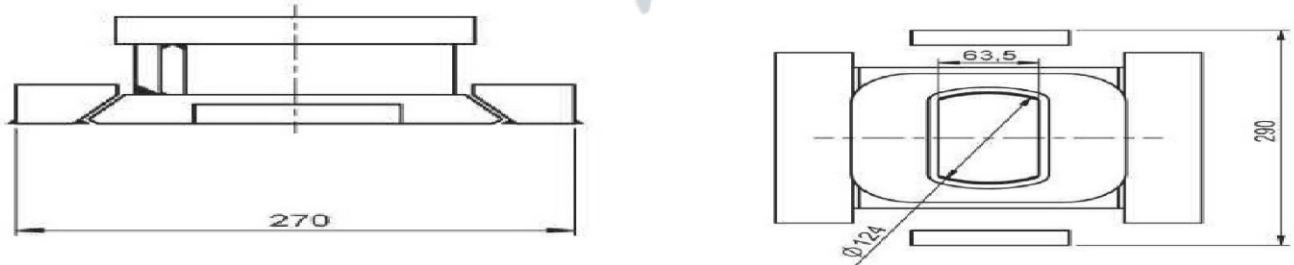
**LONGITUDINAL ISO HOLE**

**TYPE-D**



**TRANSVERSE ISO HOLE**

**TYPE-E**

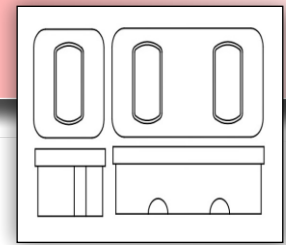


**LONGITUDINAL ISO HOLE**

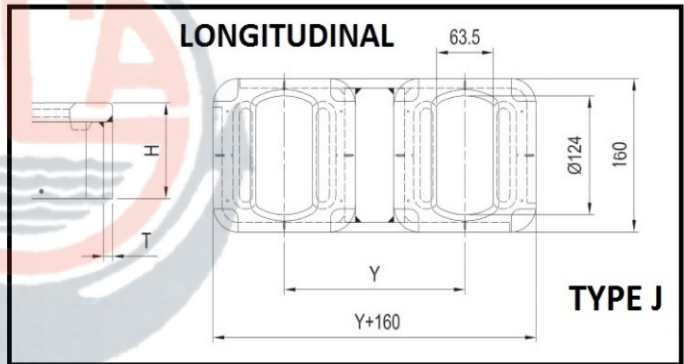
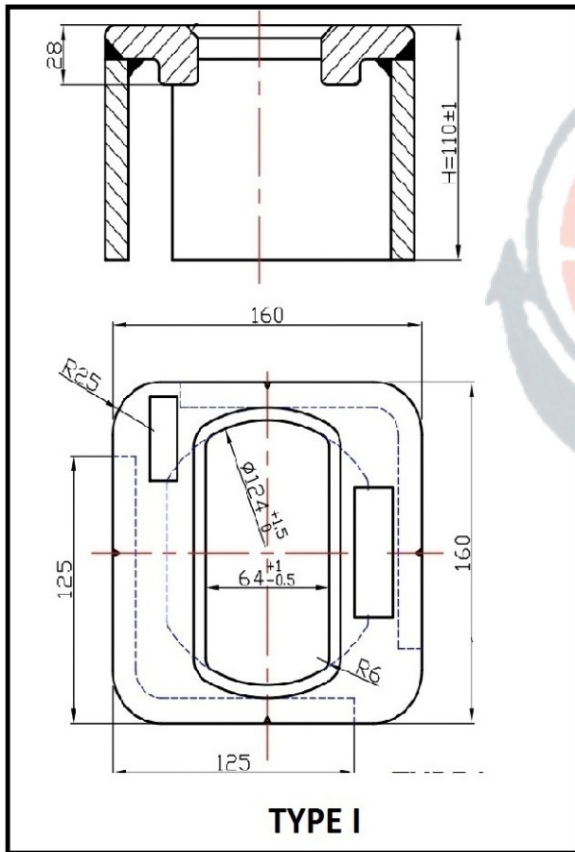
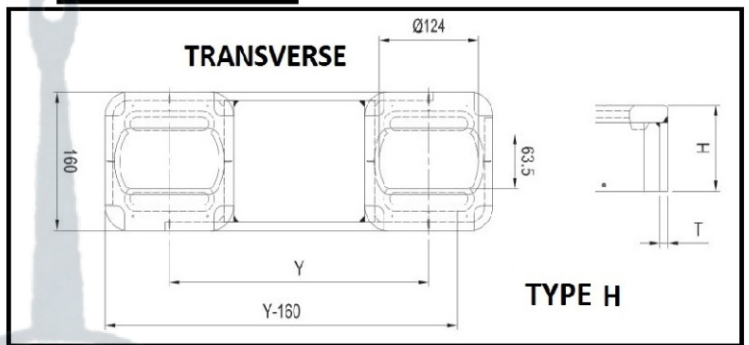
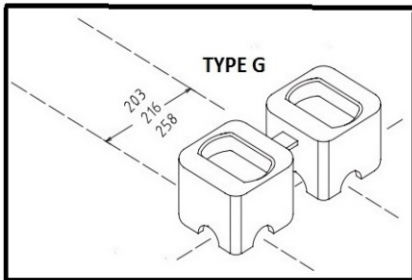
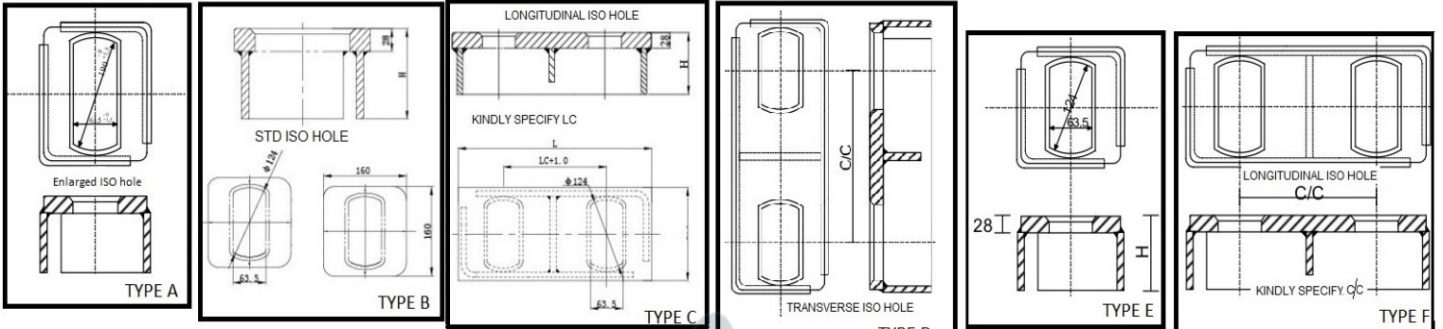
STRENGTH	MBL	SWL
TENSILE	500kN	250kN

STRENGTH	MBL	SWL
SHEAR	420kN	210kN

STRENGTH	MBL	SWL
COMPRESSION	2000kN	1000kN



## DRAWING

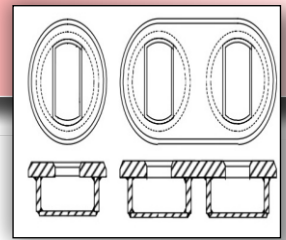


STRENGTH	MBL	SWL
TENSILE	500kN	250kN

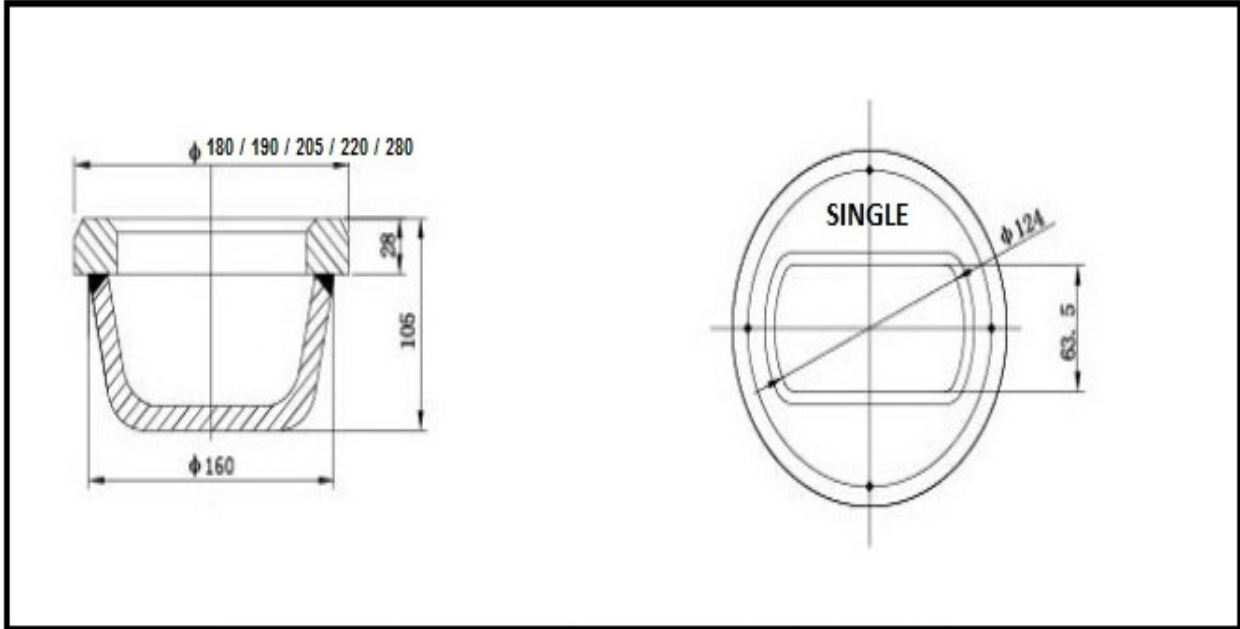
STRENGTH	MBL	SWL
SHEAR	420kN	210kN

STRENGTH	MBL	SWL
COMPRESSION	2000kN	1000kN

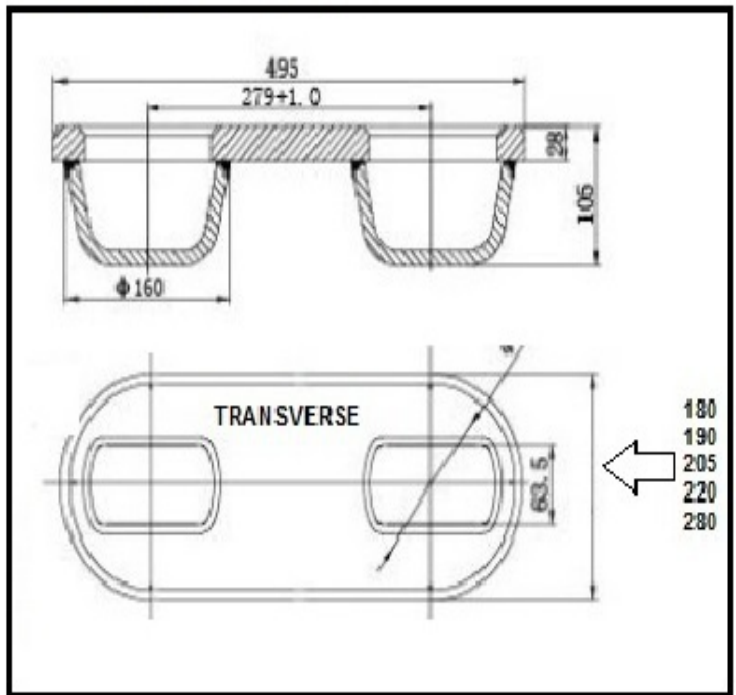
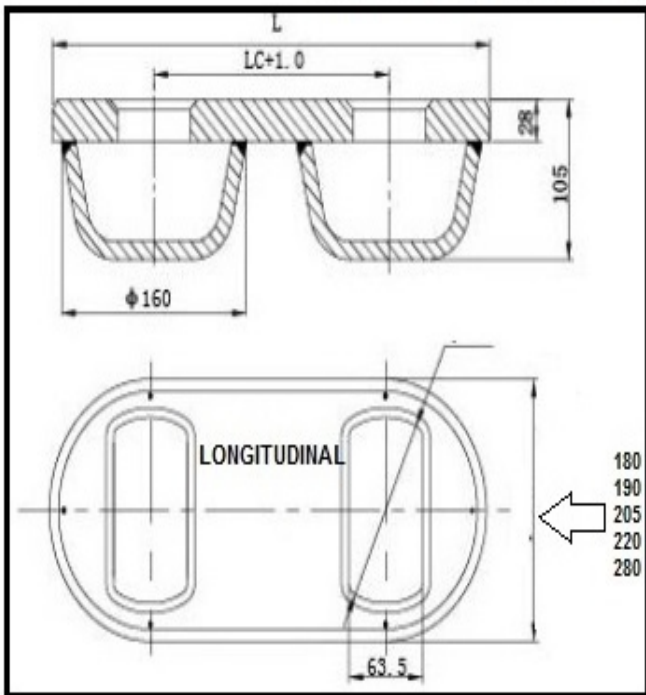




## DRAWING



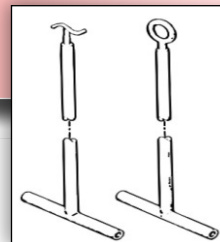
**KINDLY SPECIFY LC - 203 / 216 / 258 / 279**



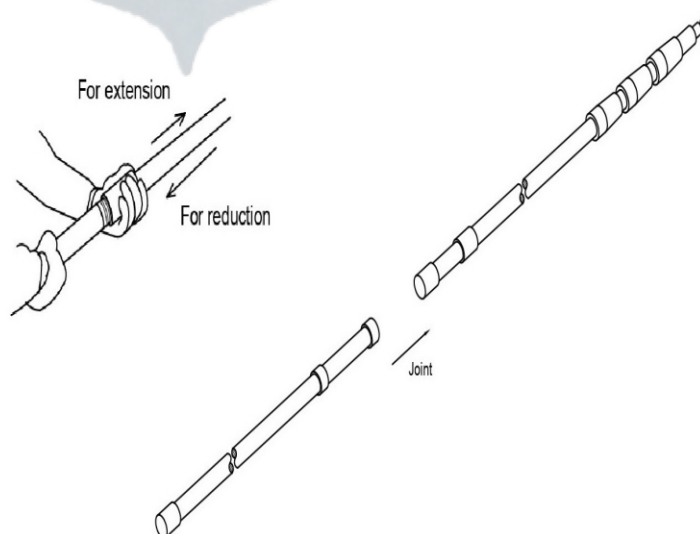
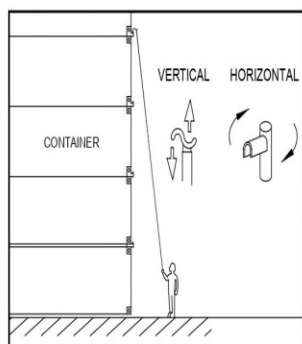
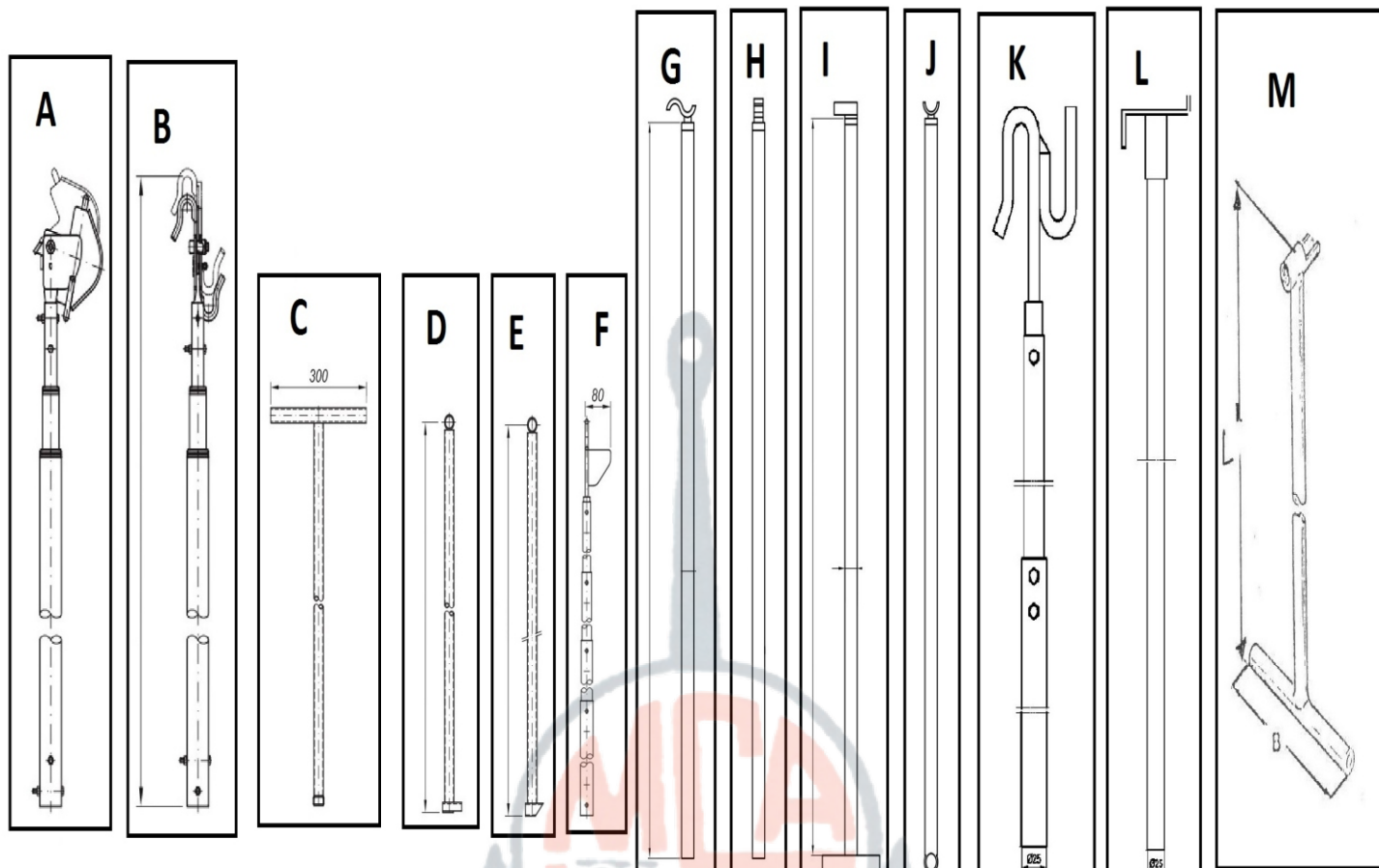
STRENGTH	MBL	SWL
TENSILE	500kN	250kN

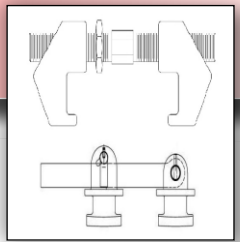
STRENGTH	MBL	SWL
SHEAR	NA	NA

STRENGTH	MBL	SWL
COMPRESSION	2000kN	1000kN

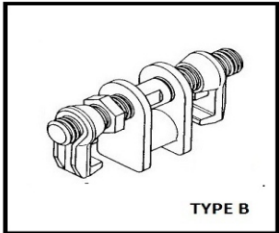
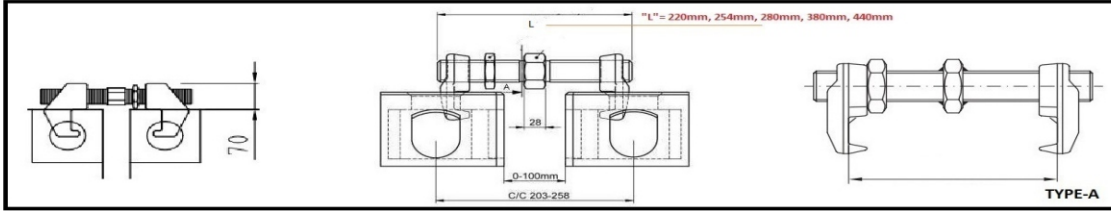


## DRAWING

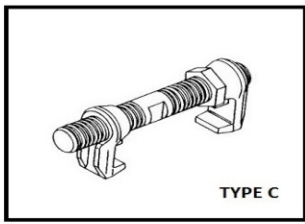




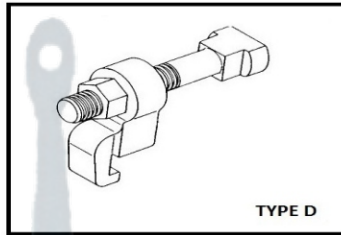
## DRAWING



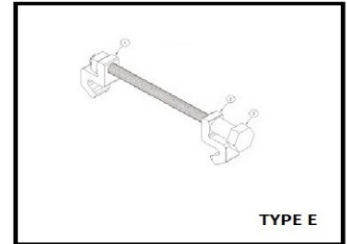
TYPE B



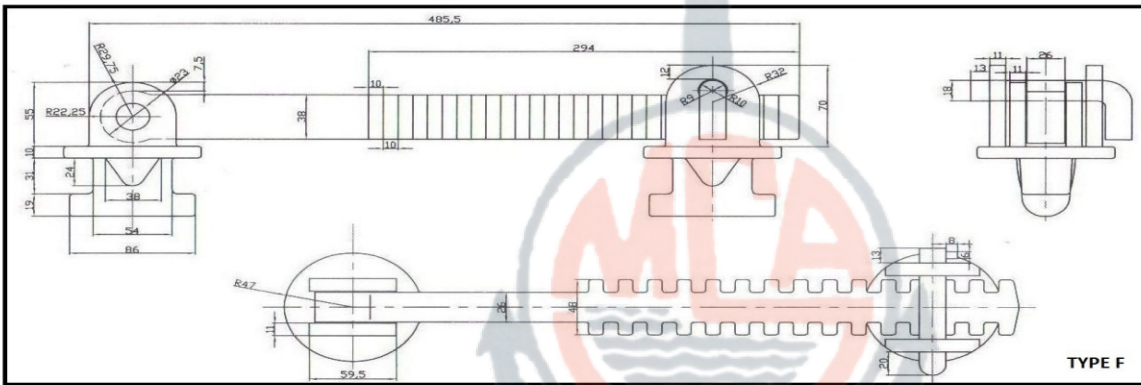
TYPE C



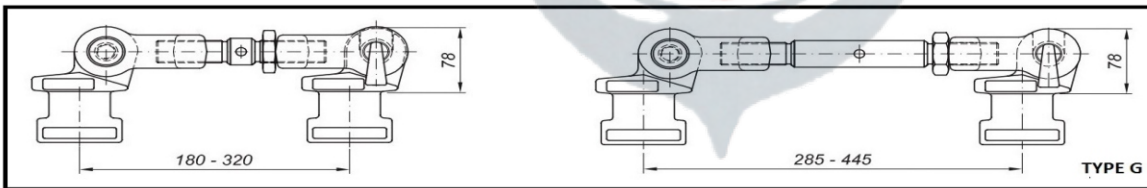
TYPE D



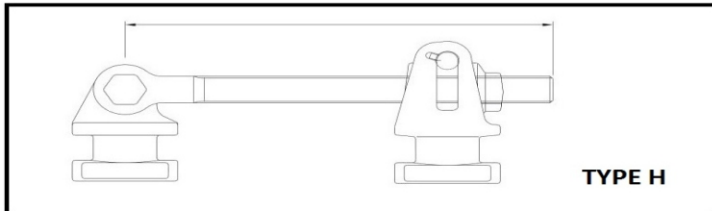
TYPE E



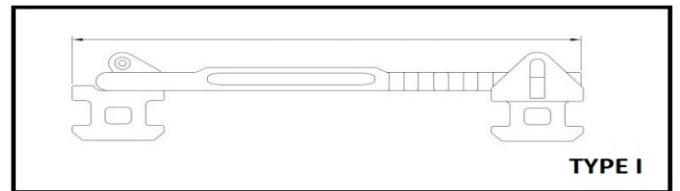
TYPE F



TYPE G



TYPE H

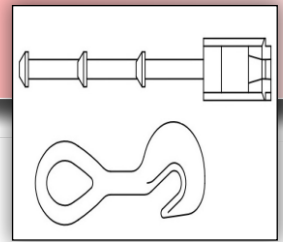


TYPE I

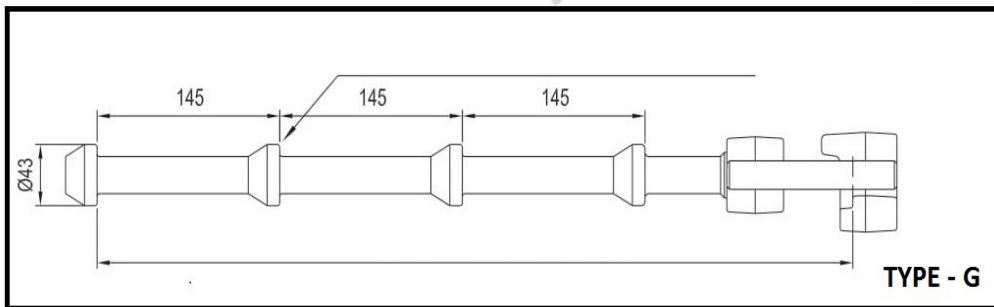
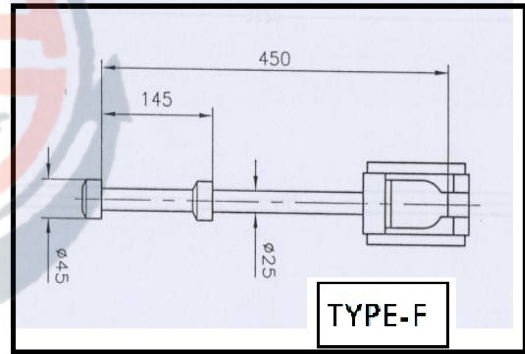
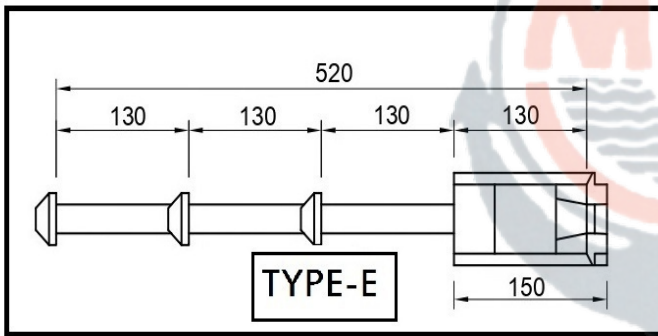
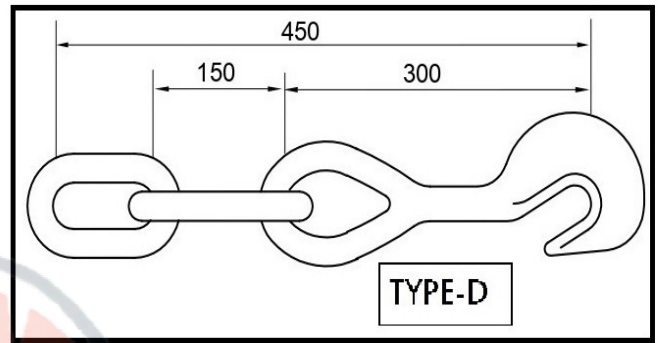
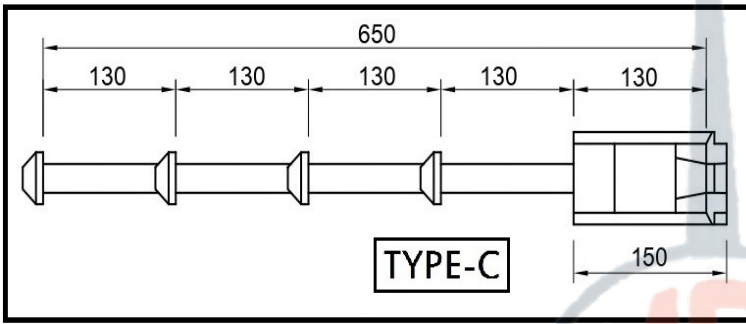
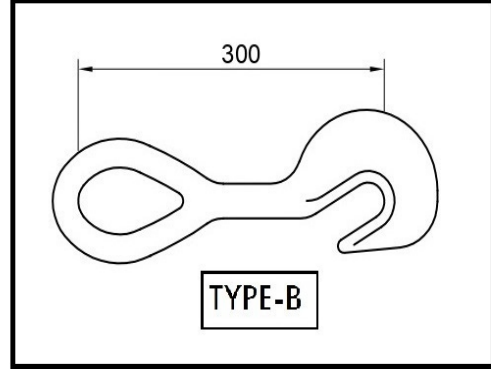
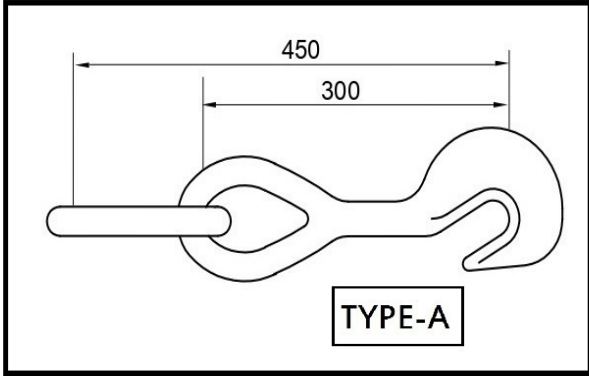
STRENGTH	MBL	SWL
TENSILE	100kN	50kN

STRENGTH	MBL	SWL
SHEAR	NA	NA

STRENGTH	MBL	SWL
COMPRESSION	NA	NA



## DRAWING

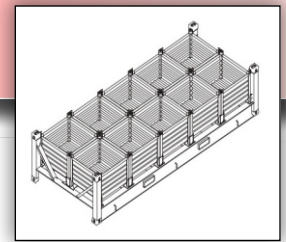


STRENGTH	MBL	SWL
TENSILE	500kN	250kN

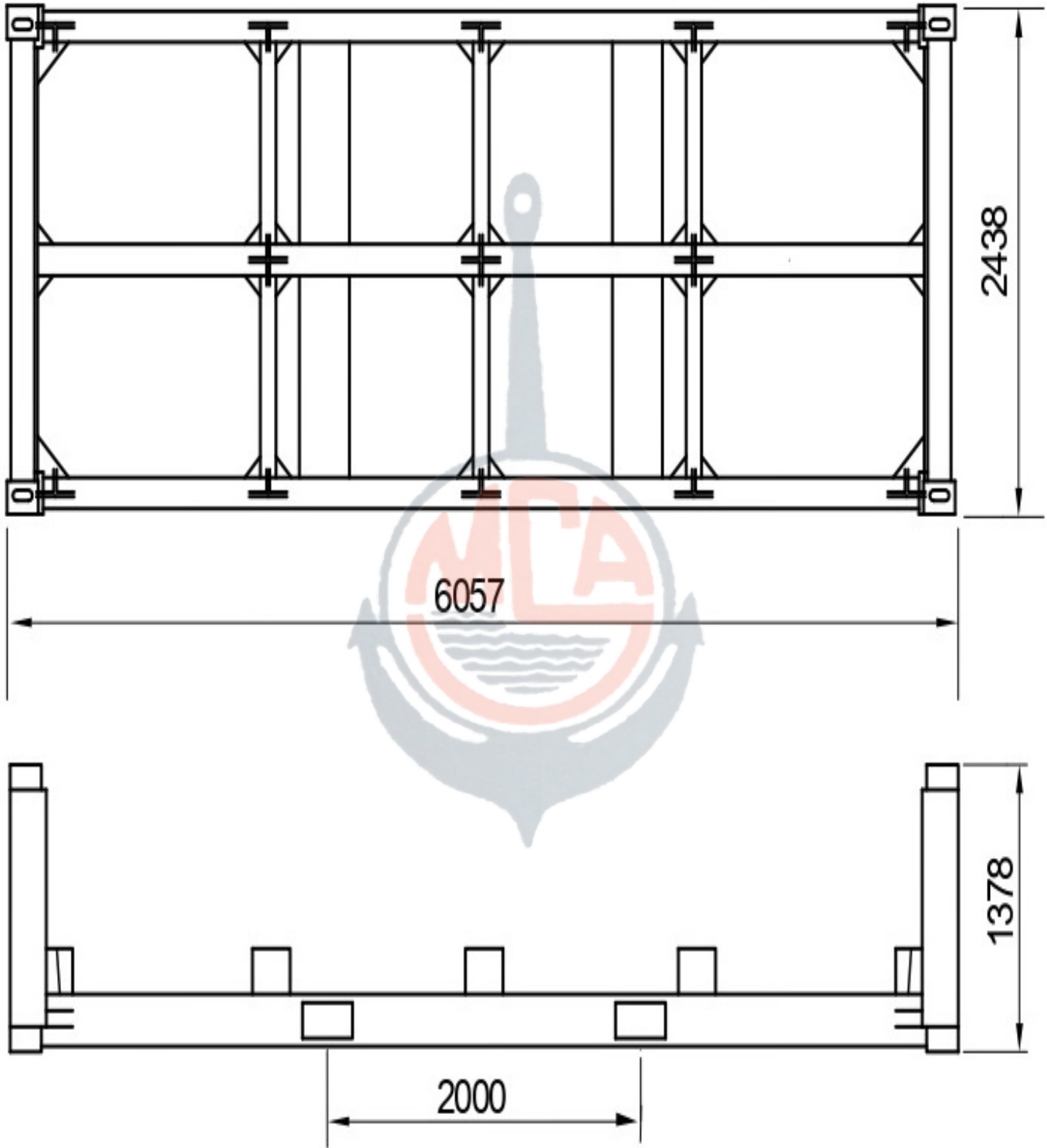
STRENGTH	MBL	SWL
SHEAR	NA	NA

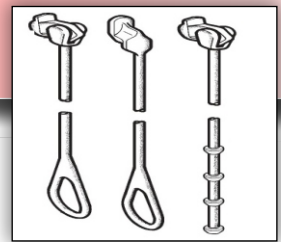
STRENGTH	MBL	SWL
COMPRESSION	NA	NA



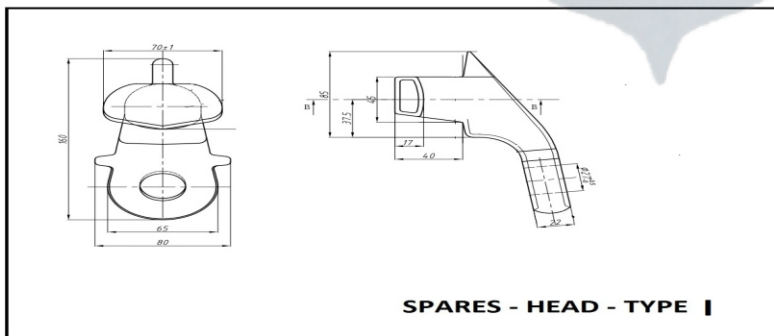
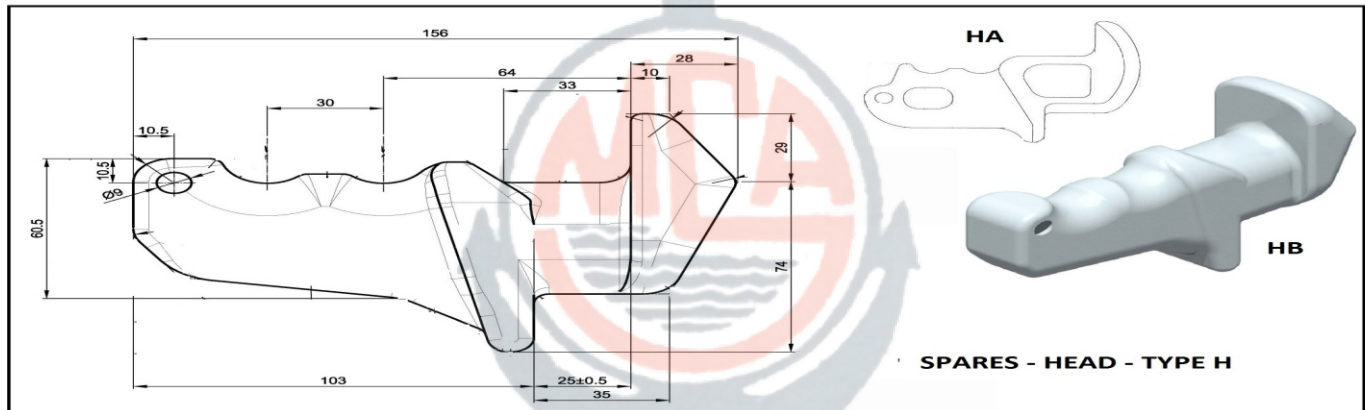
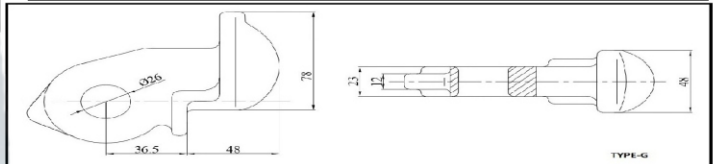
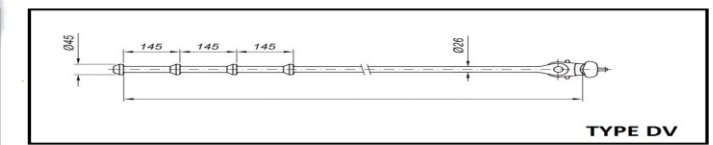
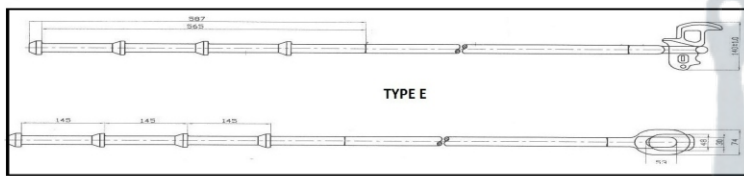
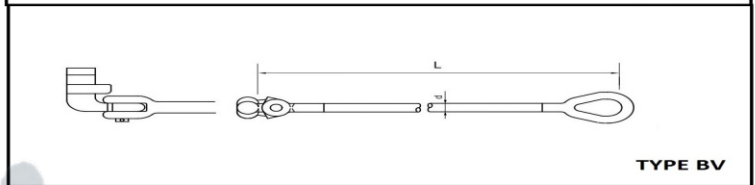
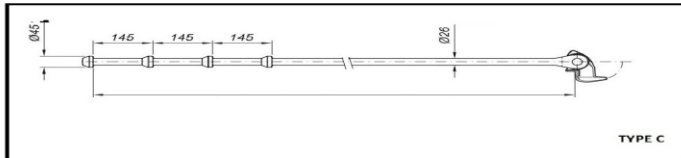
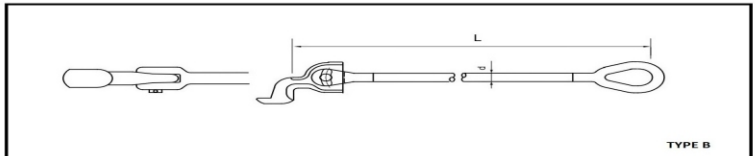
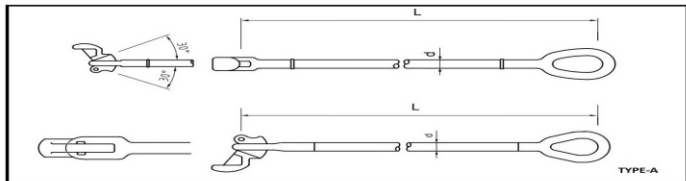


DRAWING





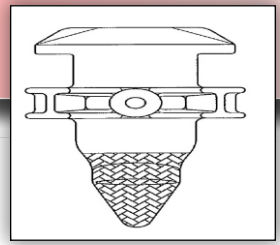
## DRAWING



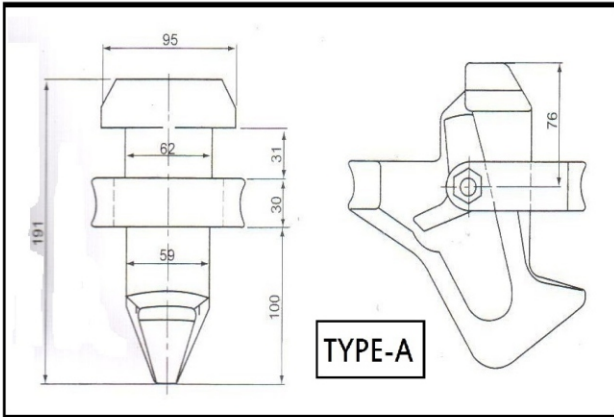
STRENGTH	MBL	SWL
TENSILE	500kN	250kN

STRENGTH	MBL	SWL
SHEAR	NA	NA

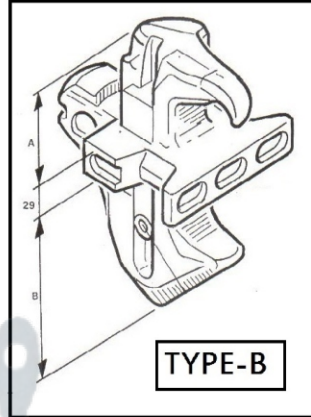
STRENGTH	MBL	SWL
COMPRESSION	NA	NA



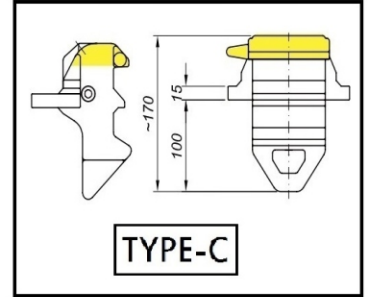
DRAWING



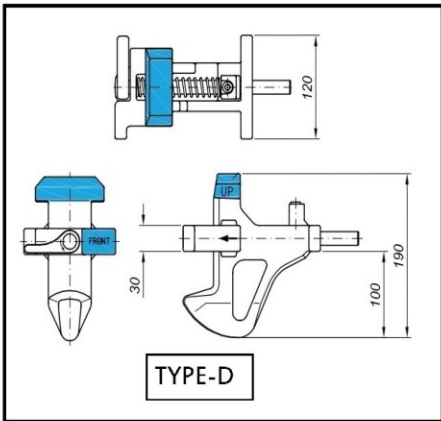
TYPE-A



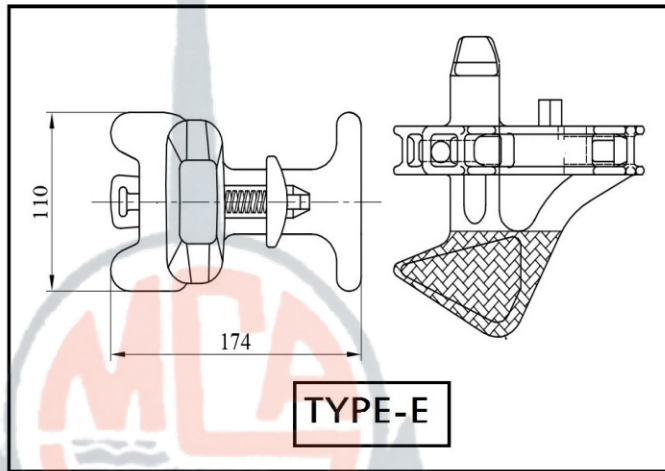
TYPE-B



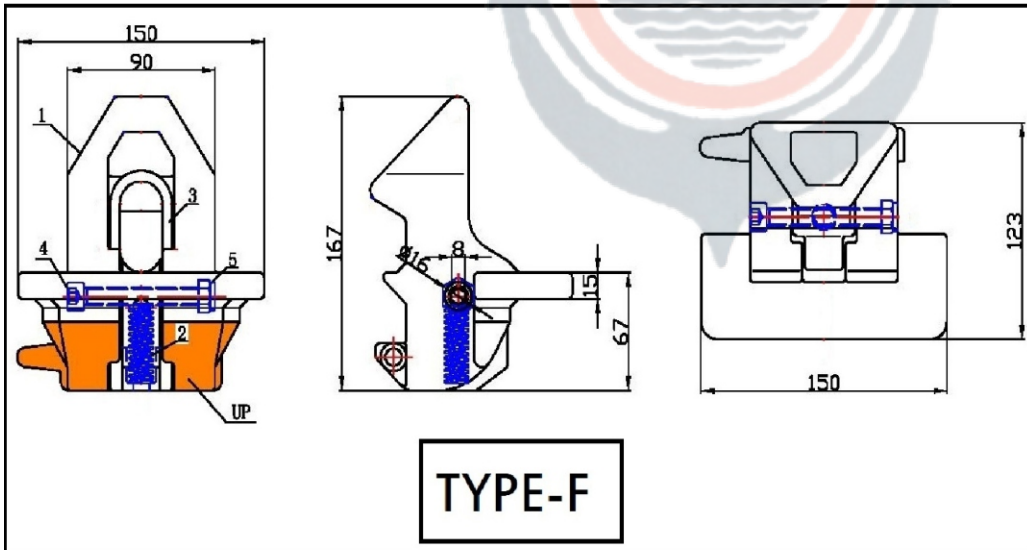
TYPE-C



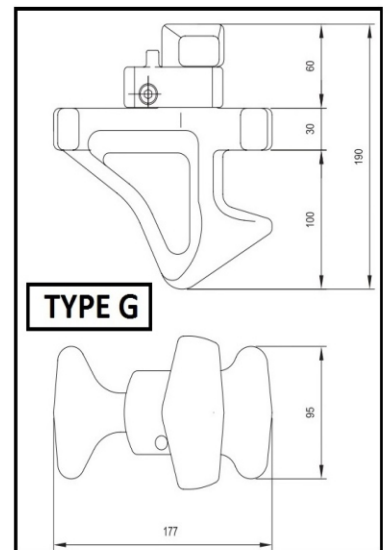
TYPE-D



TYPE-E



TYPE-F

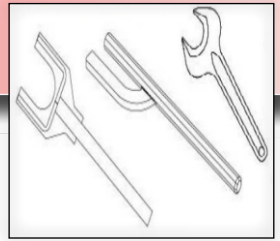


TYPE-G

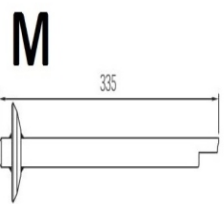
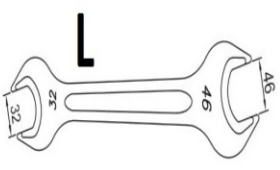
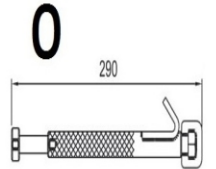
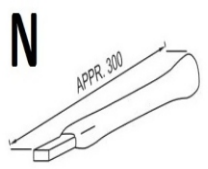
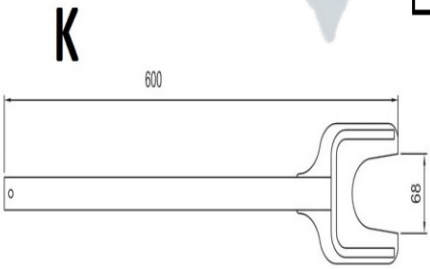
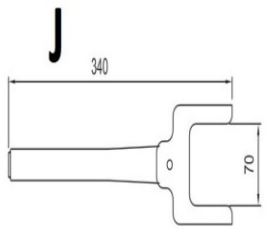
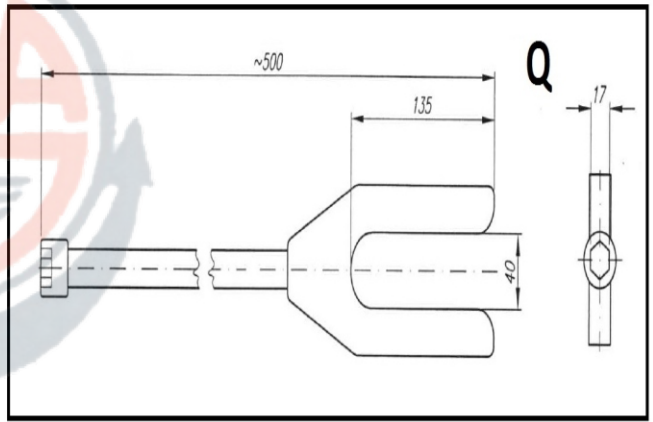
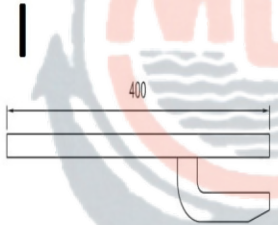
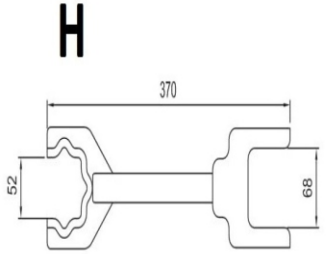
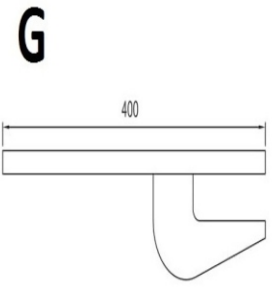
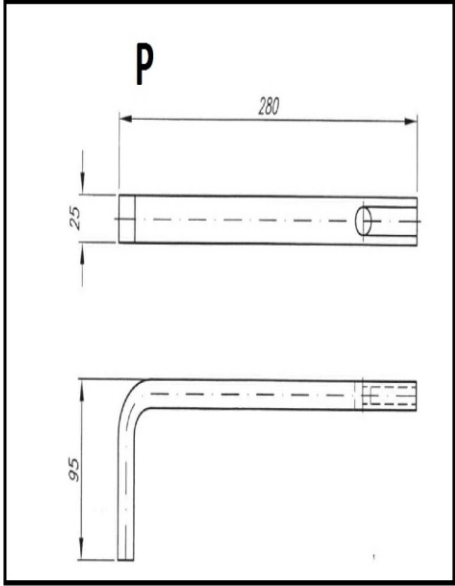
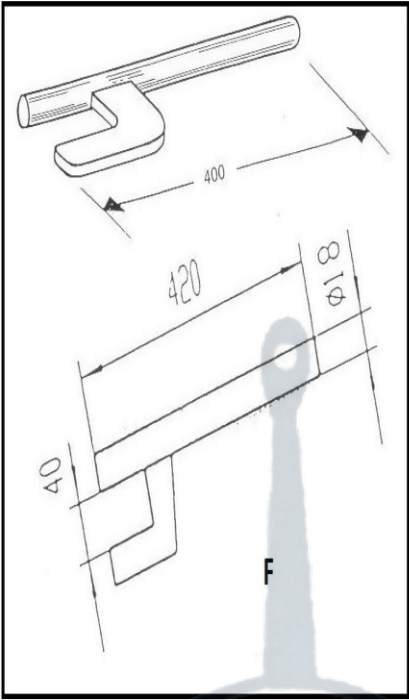
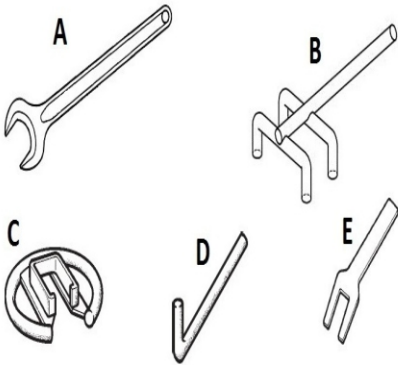
STRENGTH	MBL	SWL
TENSILE	500kN	250kN

STRENGTH	MBL	SWL
SHEAR	420kN	210kN

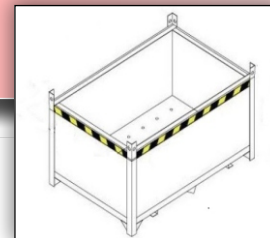
STRENGTH	MBL	SWL
COMPRESSION	NA	NA



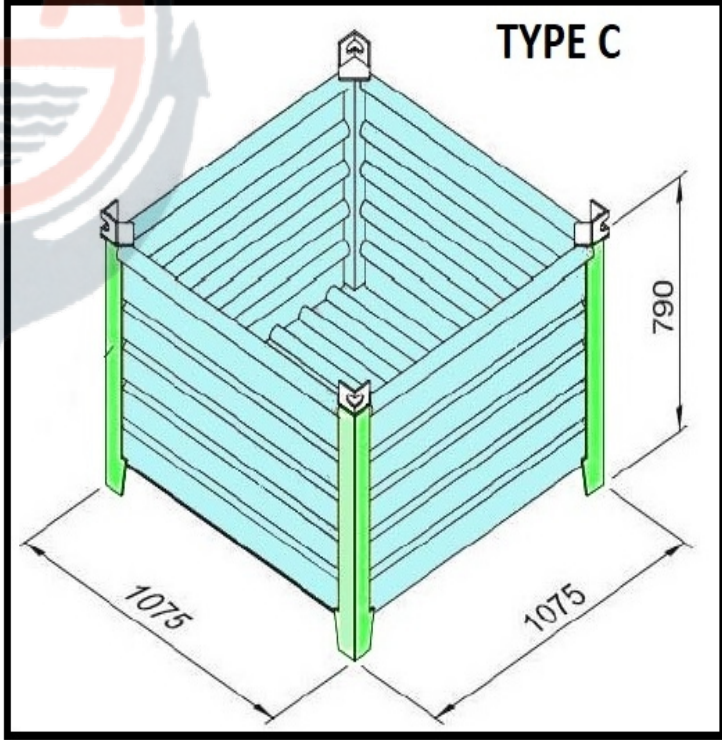
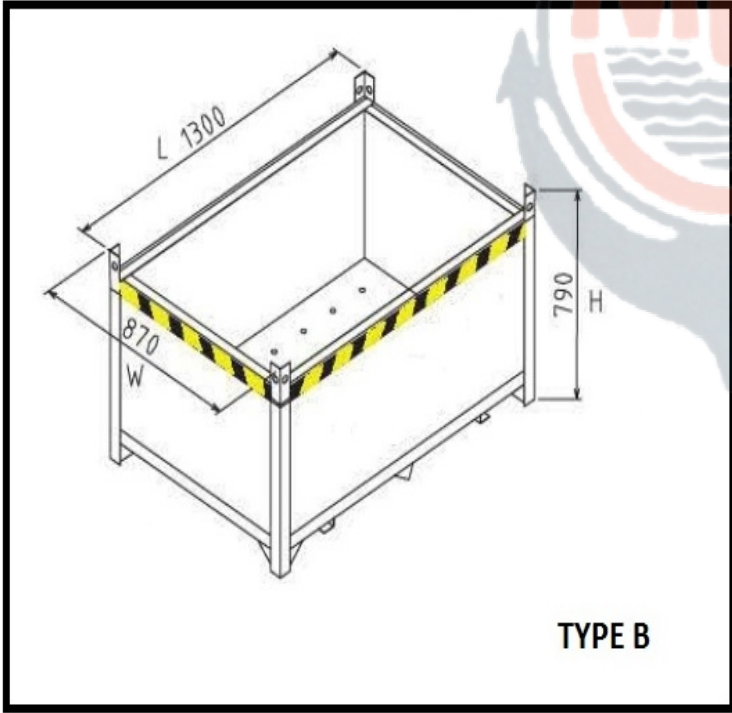
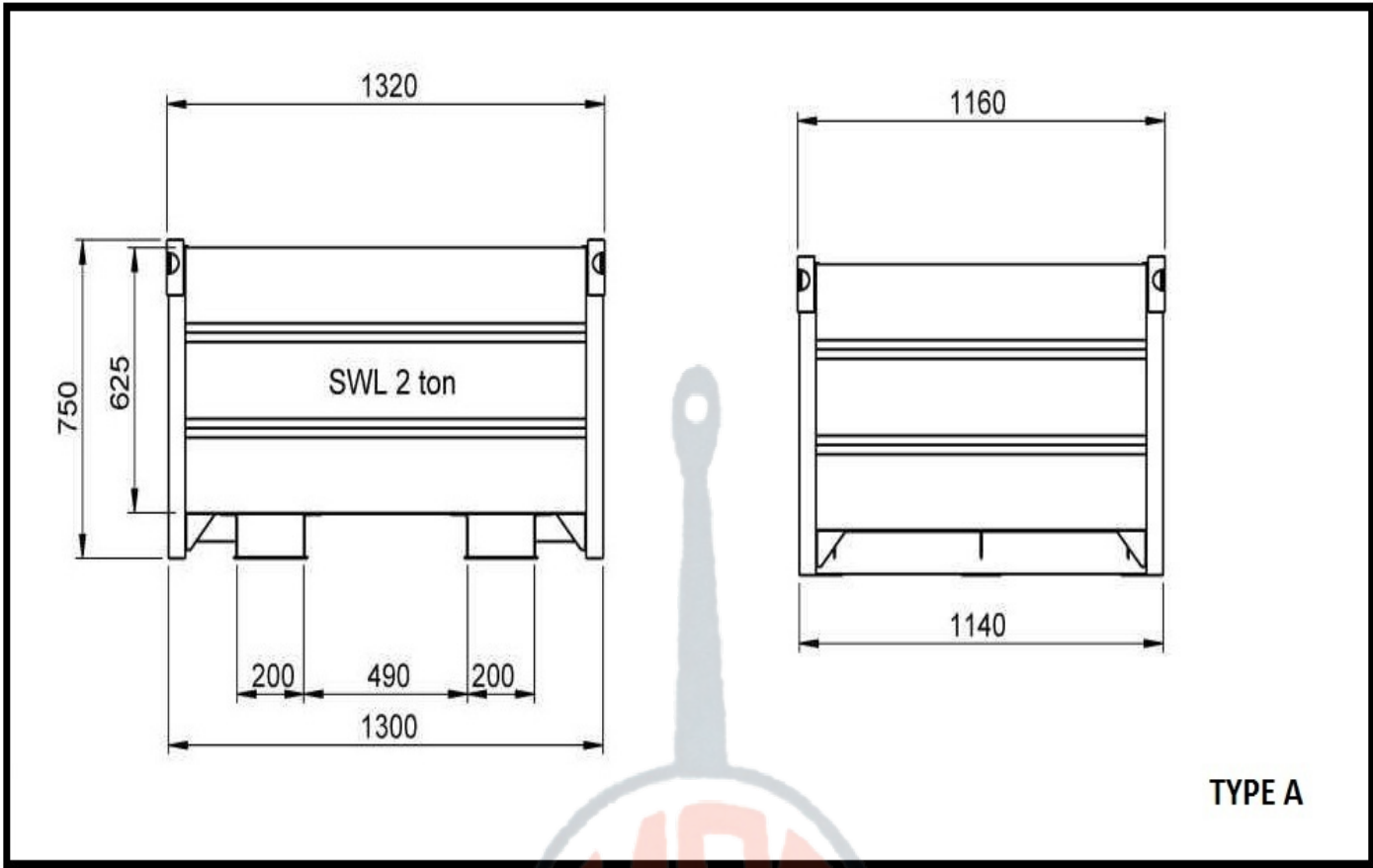
## DRAWING

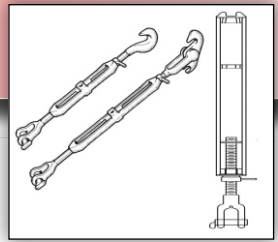




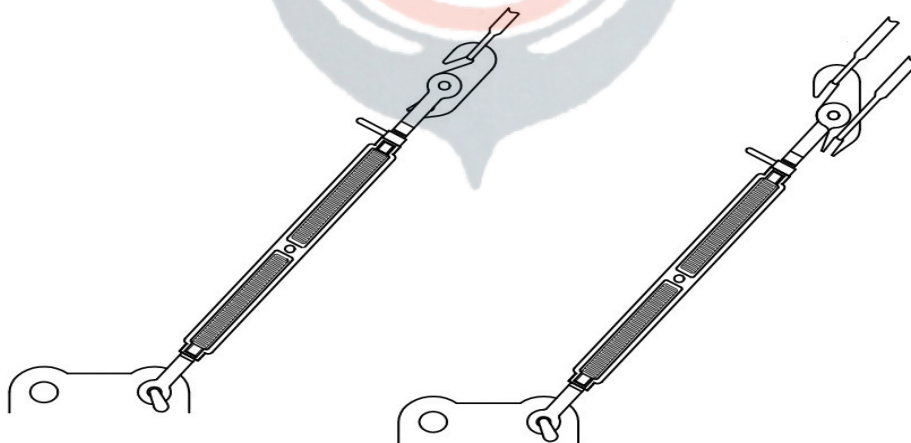
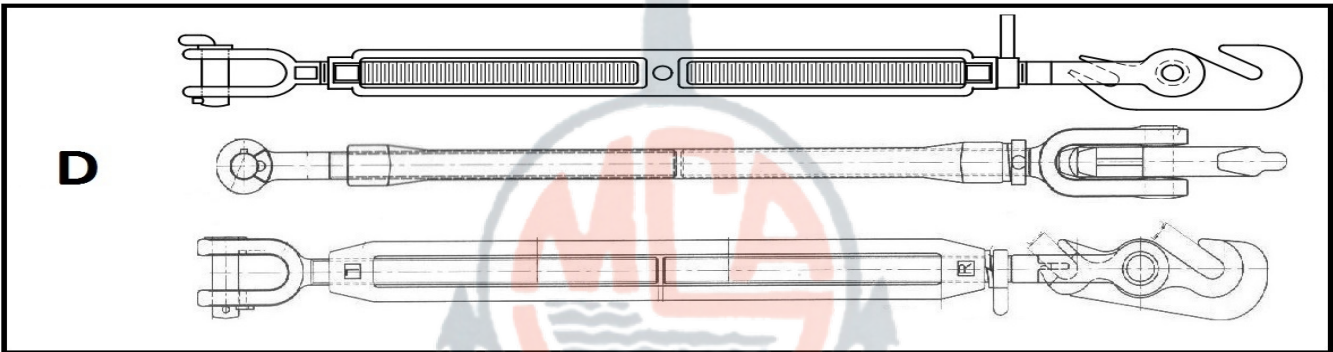
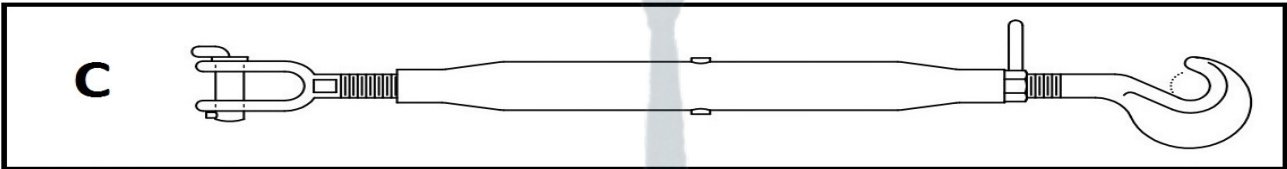
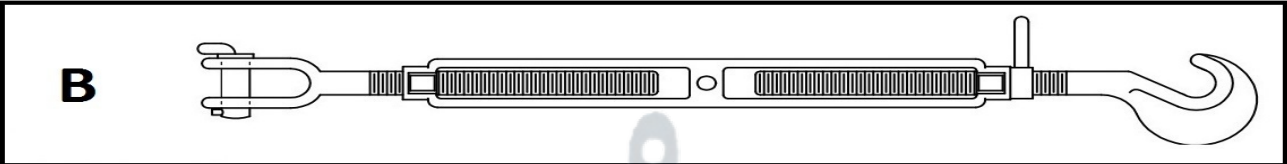
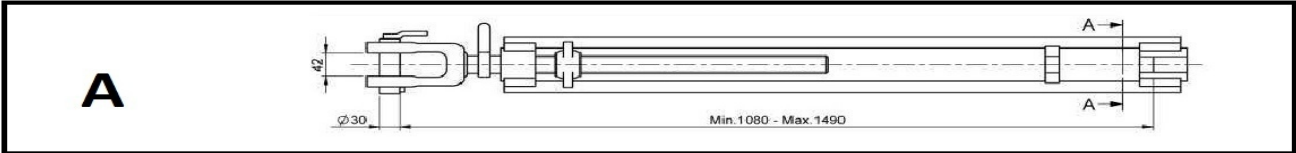


## DRAWING





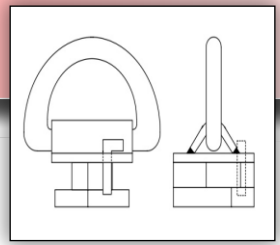
## DRAWING



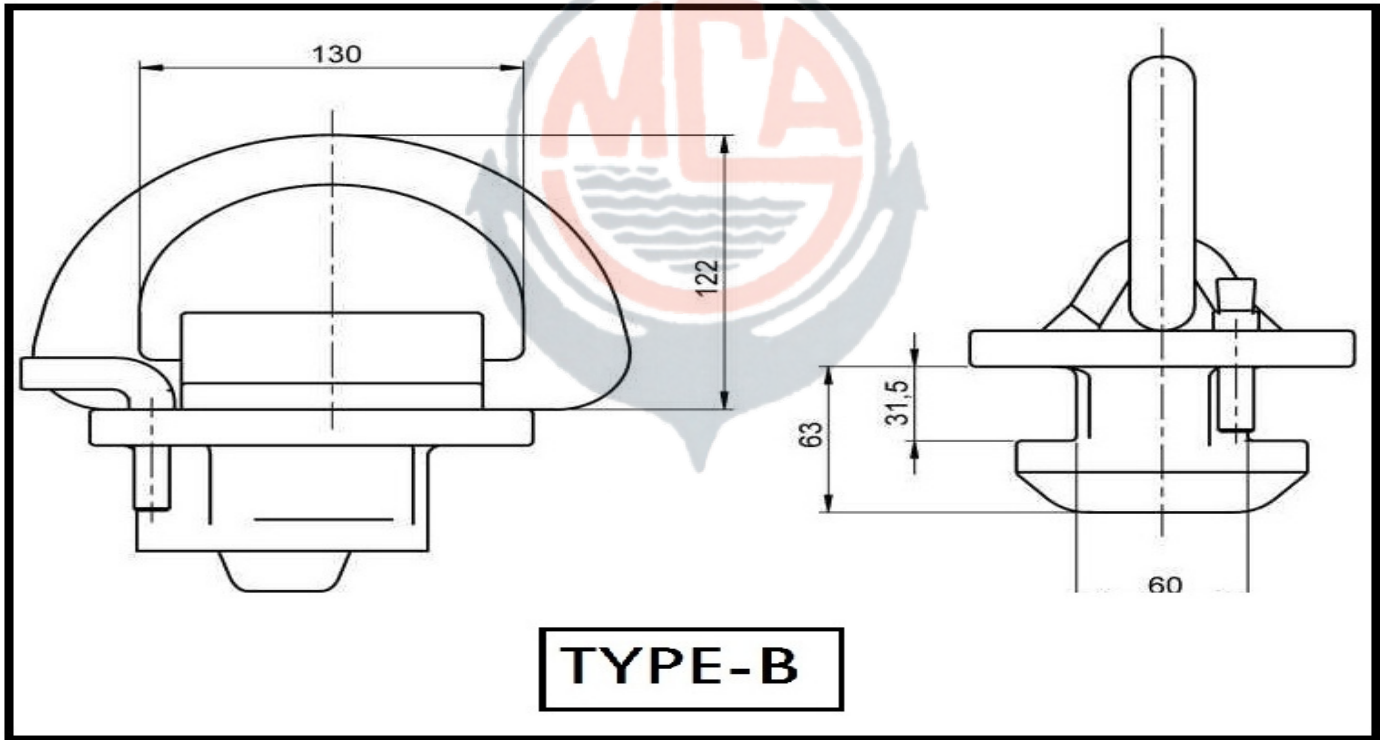
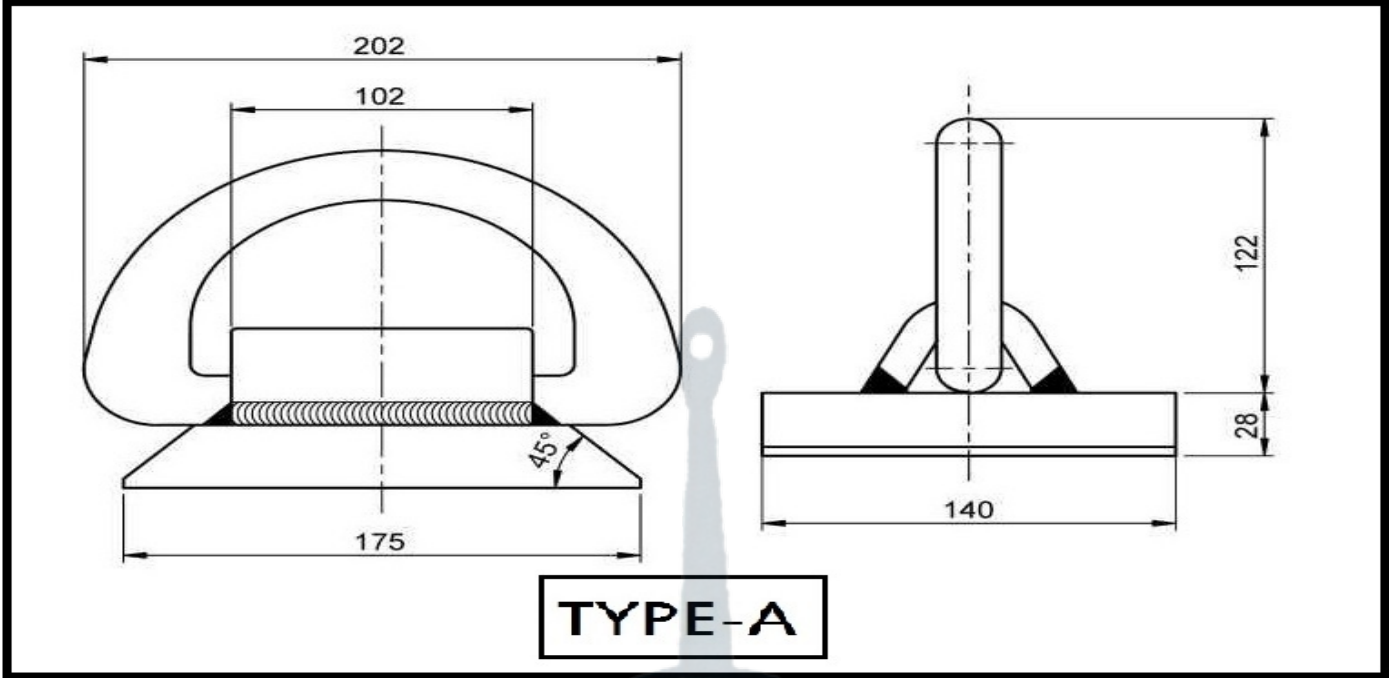
STRENGTH	MBL	SWL
TENSILE	500kN	250kN

STRENGTH	MBL	SWL
SHEAR	NA	NA

STRENGTH	MBL	SWL
COMPRESSION	NA	NA



**DRAWING**

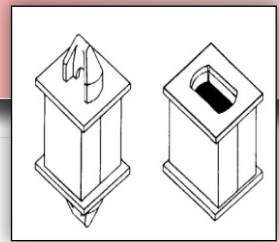


STRENGTH	MBL	SWL
TENSILE	500kN	250kN

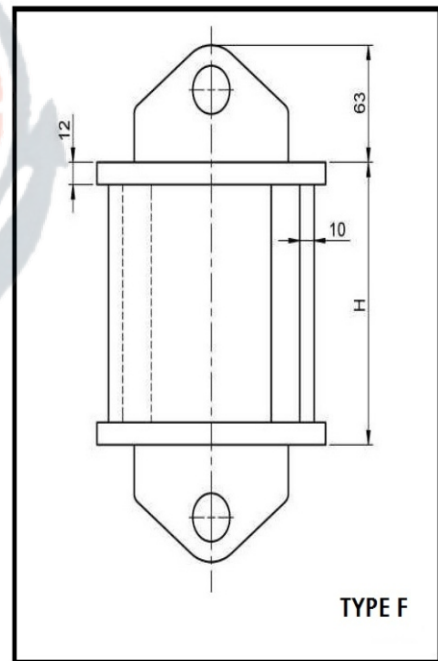
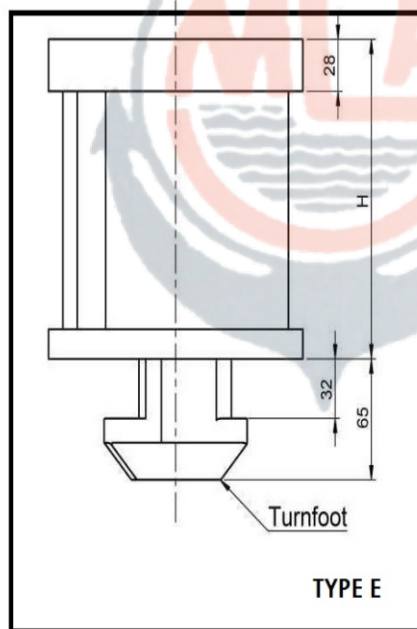
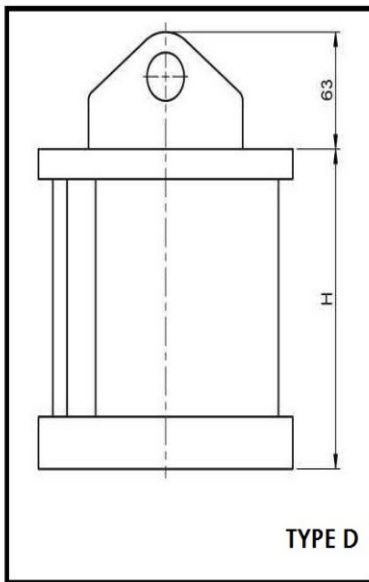
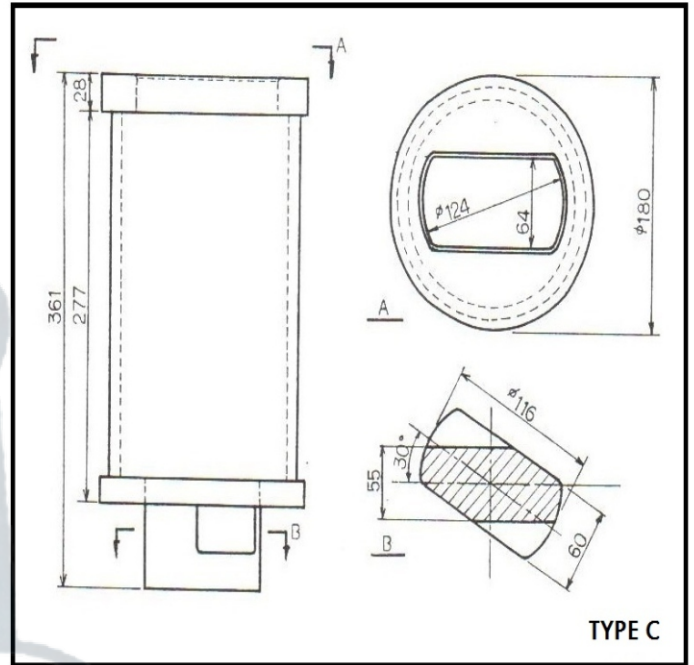
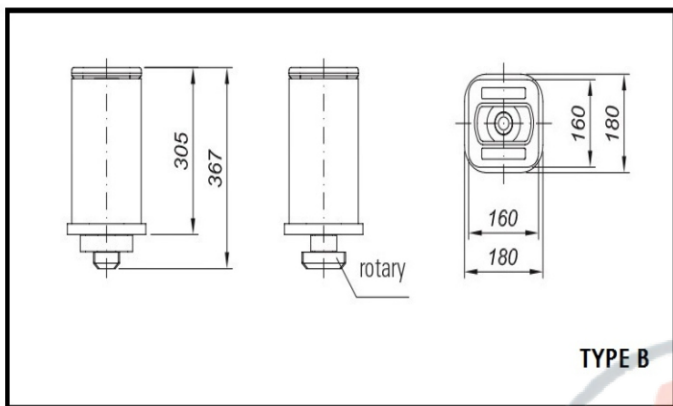
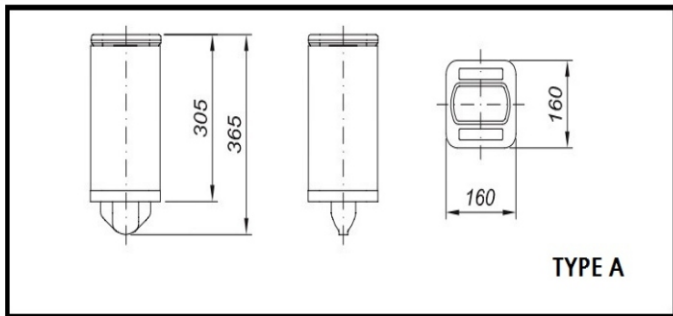
STRENGTH	MBL	SWL
SHEAR	NA	NA

STRENGTH	MBL	SWL
COMPRESSION	NA	NA





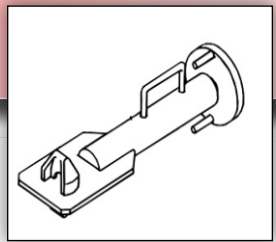
## DRAWING



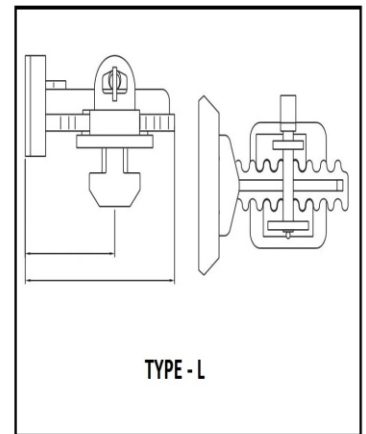
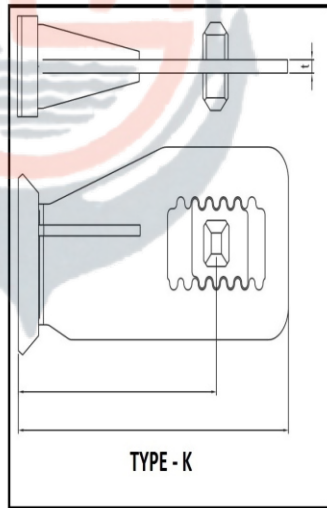
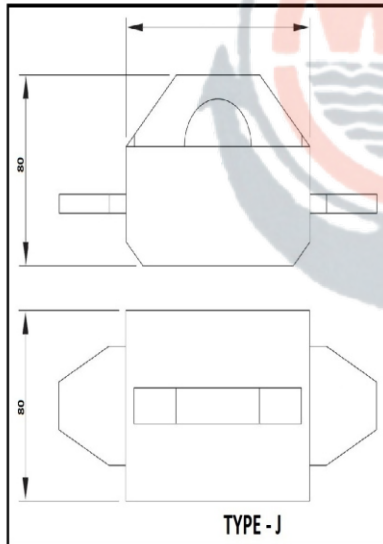
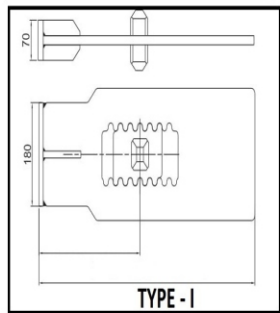
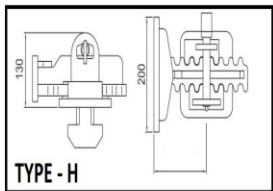
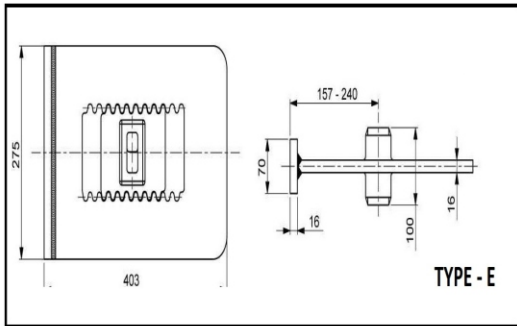
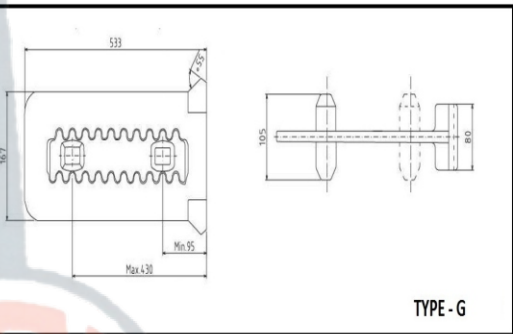
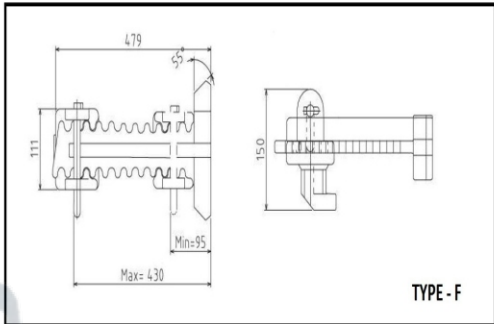
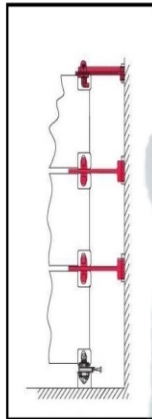
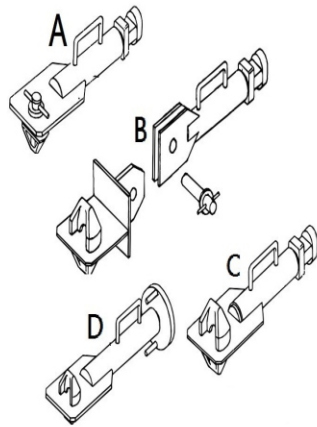
STRENGTH	MBL	SWL
TENSILE	500kN	250kN

STRENGTH	MBL	SWL
SHEAR	420kN	210kN

STRENGTH	MBL	SWL
COMPRESSION	2000kN	NA



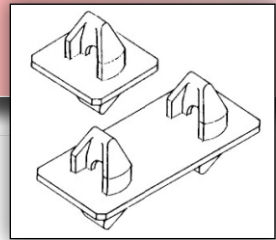
## DRAWING



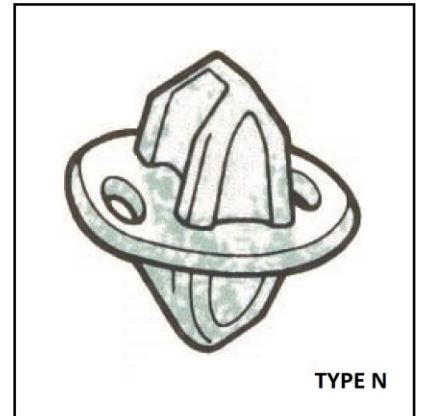
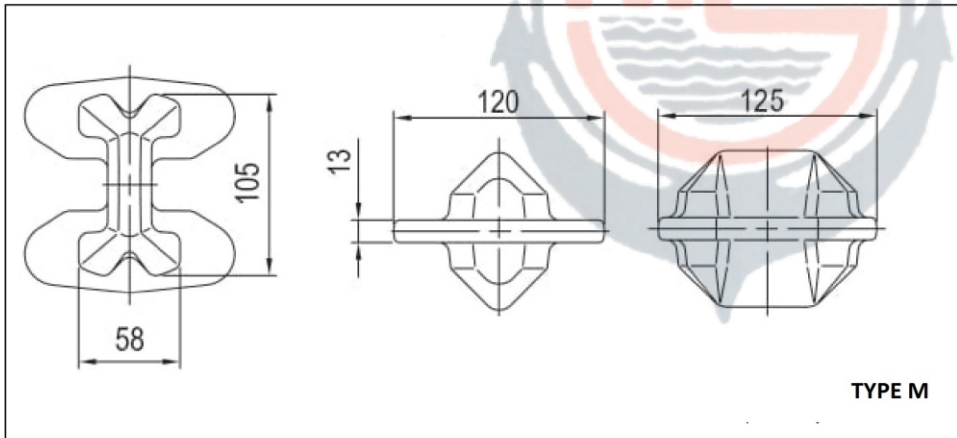
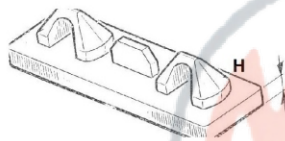
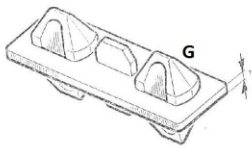
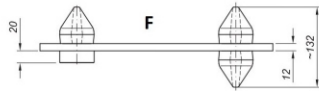
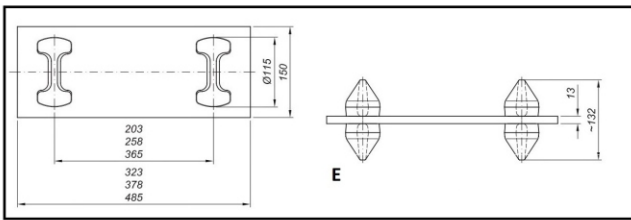
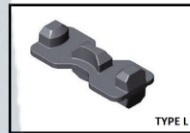
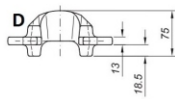
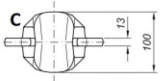
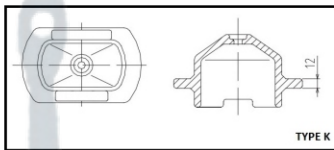
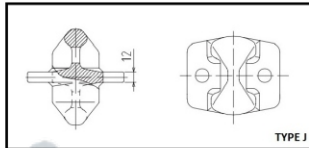
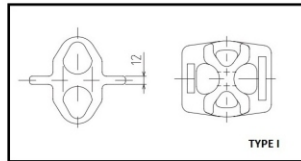
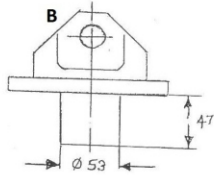
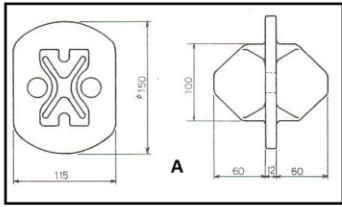
STRENGTH	MBL	SWL
TENSILE	NA	NA

STRENGTH	MBL	SWL
SHEAR	420kN	210kN

STRENGTH	MBL	SWL
COMPRESSION	NA	NA



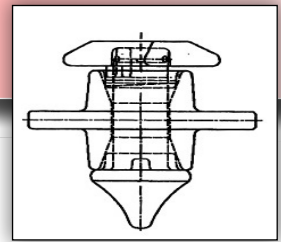
**DRAWING**



STRENGTH	MBL	SWL
TENSILE	NA	NA

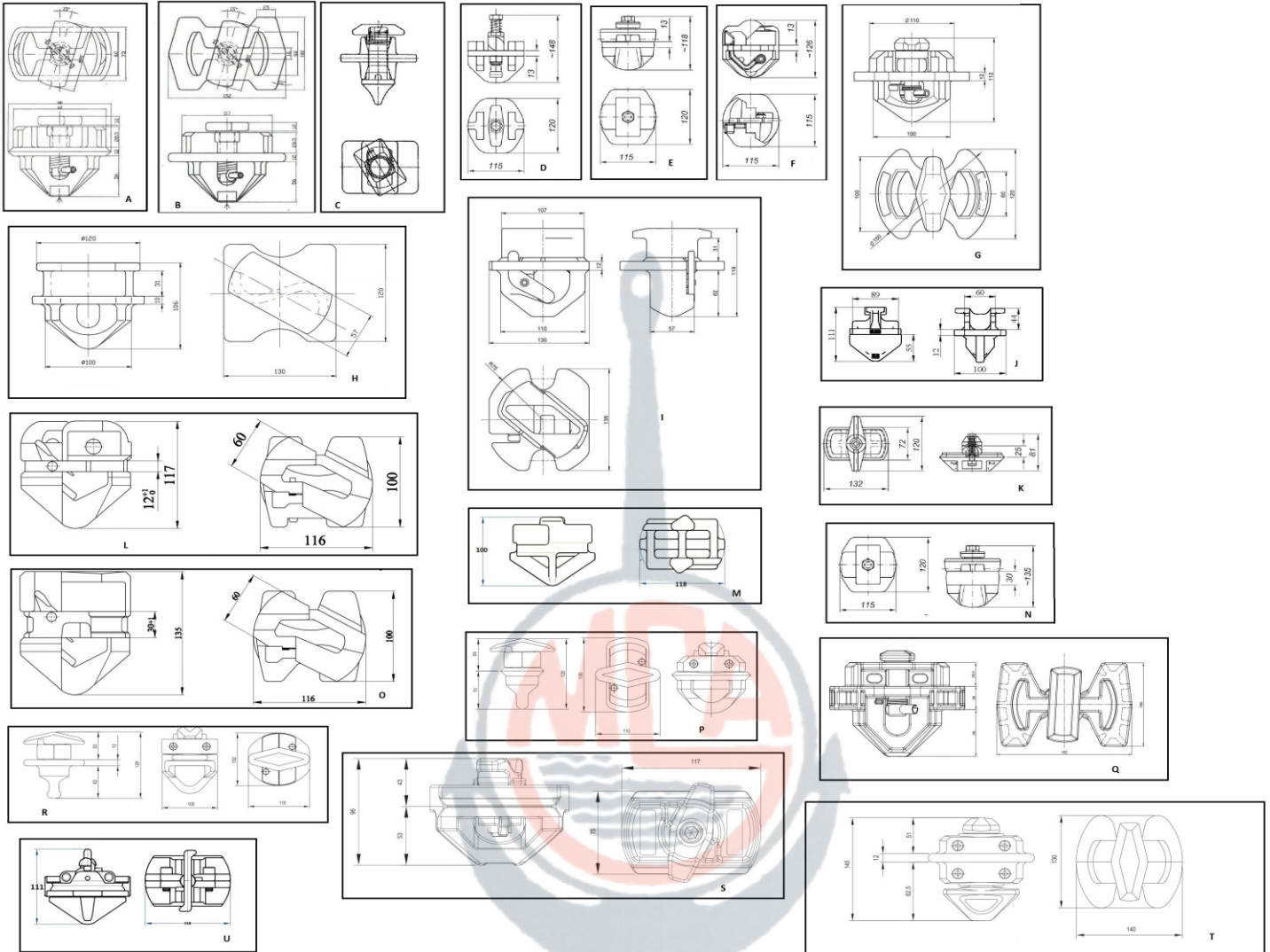
STRENGTH	MBL	SWL
SHEAR	420kN	210kN

STRENGTH	MBL	SWL
COMPRESSION	NA	NA

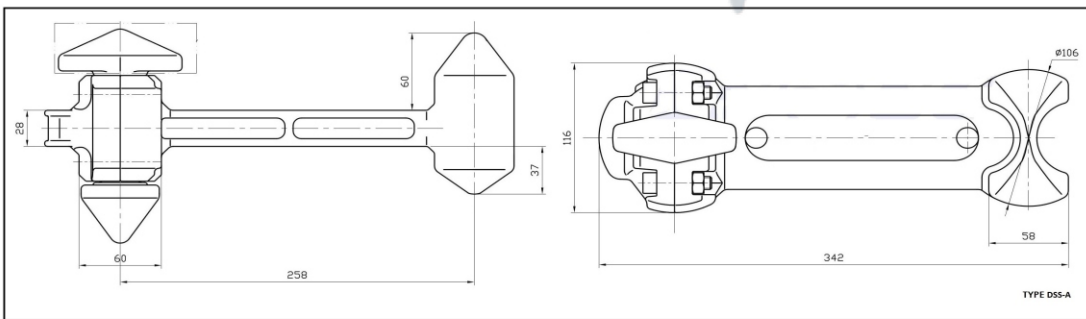


## DRAWING

### SINGLE STACKERS, SAFETY, INTERMEDIATE



### DOUBLE STACKERS, SAFETY, INTERMEDIATE

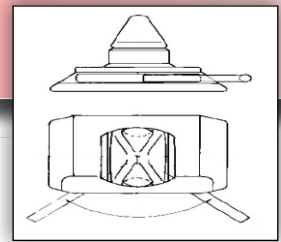


STRENGTH	MBL	SWL
TENSILE	NA	NA

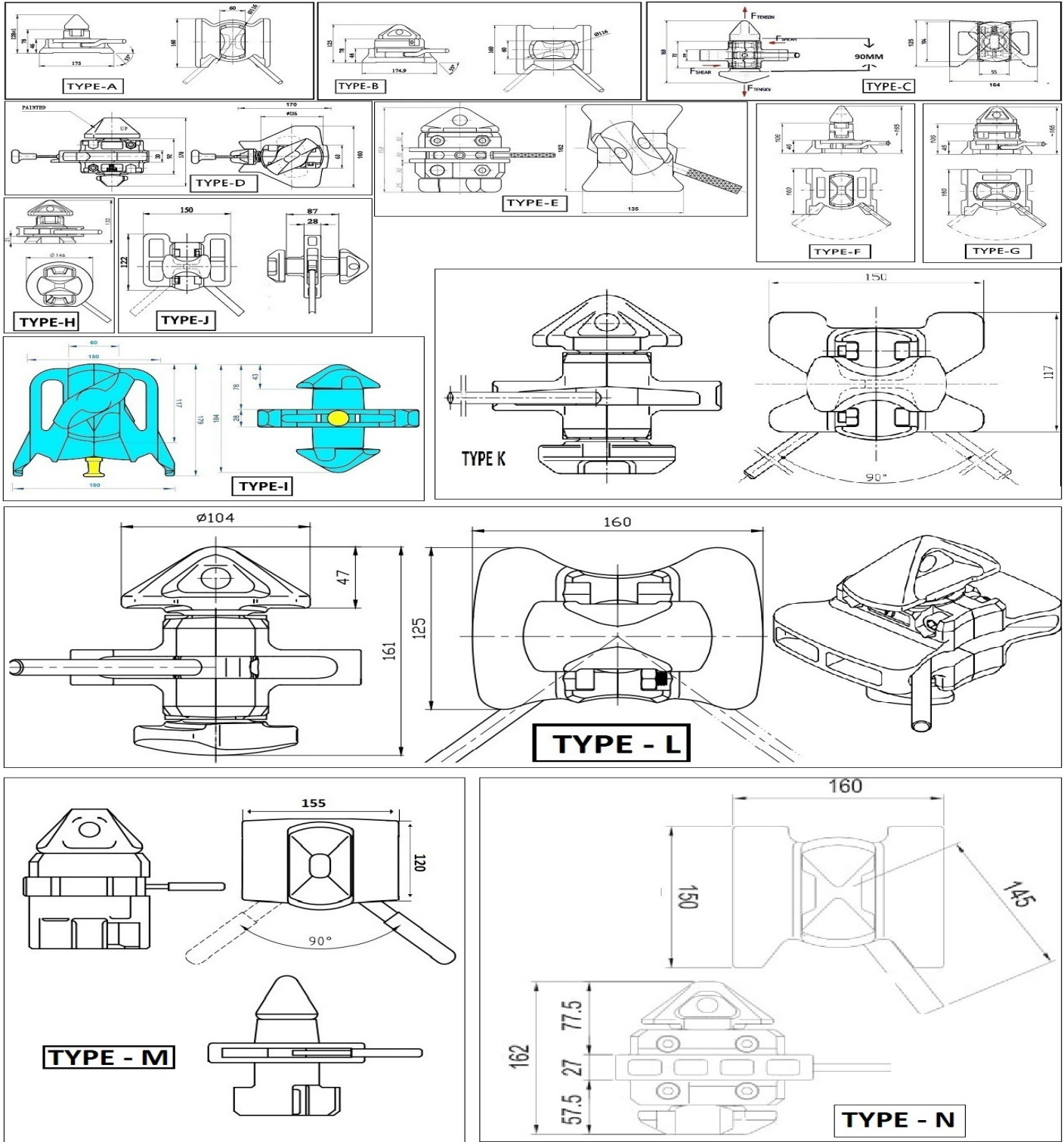
STRENGTH	MBL	SWL
SHEAR	420kN	210kN

STRENGTH	MBL	SWL
COMPRESSION	NA	NA





## DRAWING



STRENGTH	MBL	SWL
TENSILE	500kN	250kN

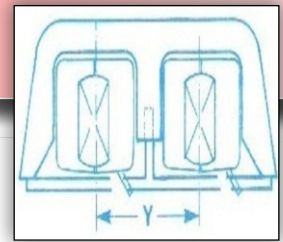
STRENGTH	MBL	SWL
SHEAR	420kN	210kN

STRENGTH	MBL	SWL
COMPRESSION	NA	NA

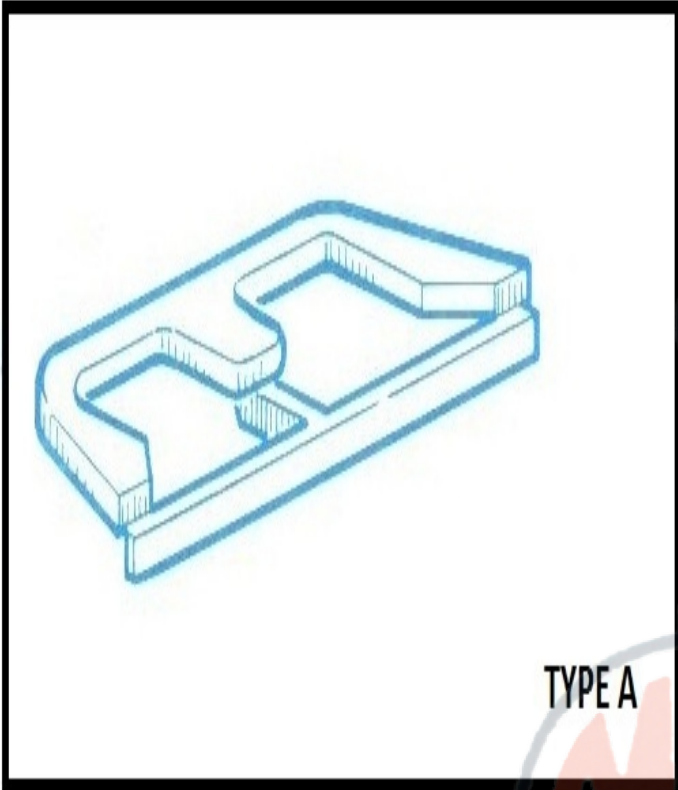




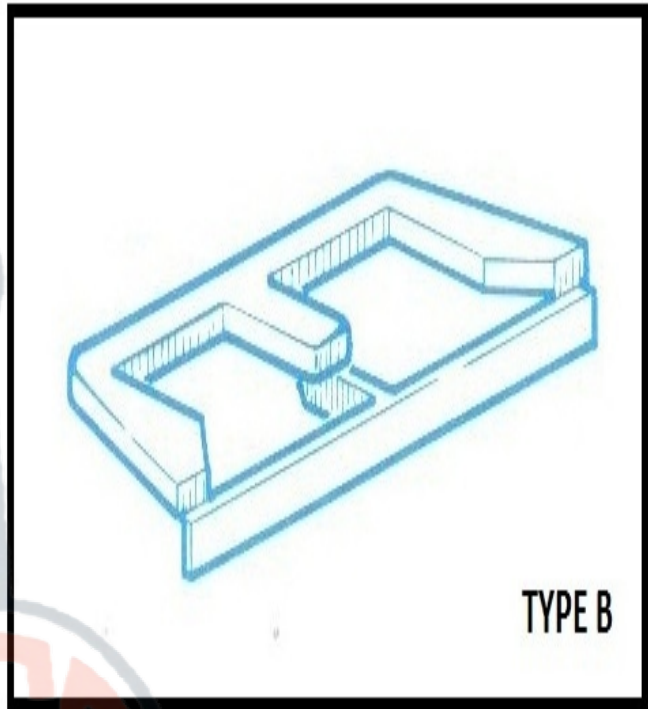




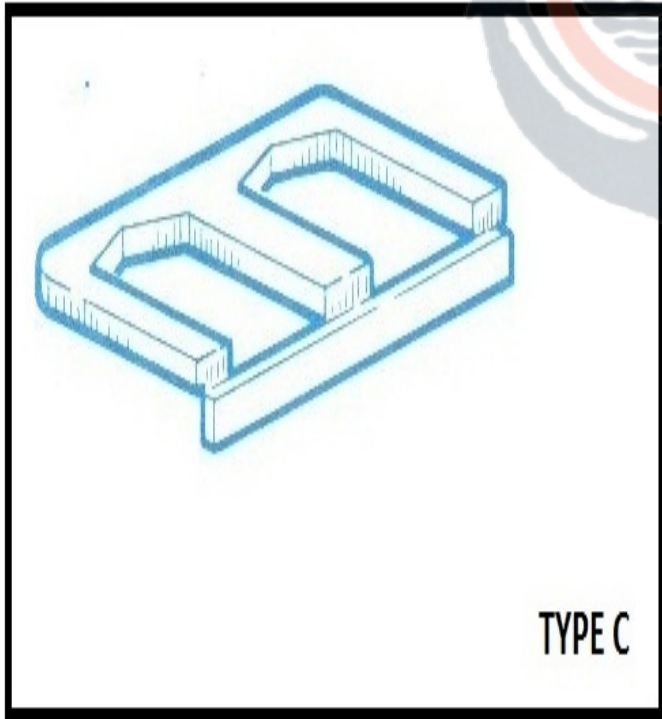
**DRAWING**



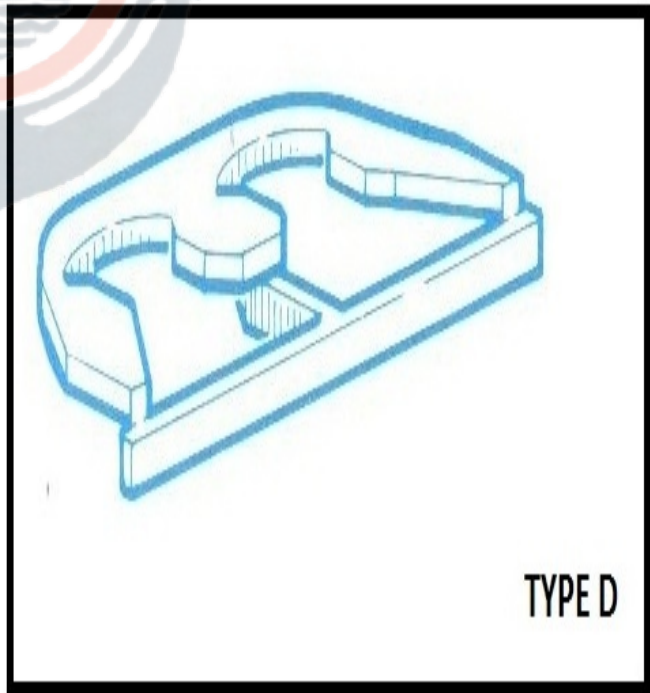
TYPE A



TYPE B

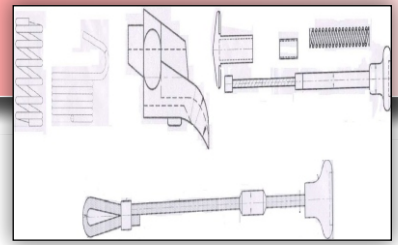


TYPE C

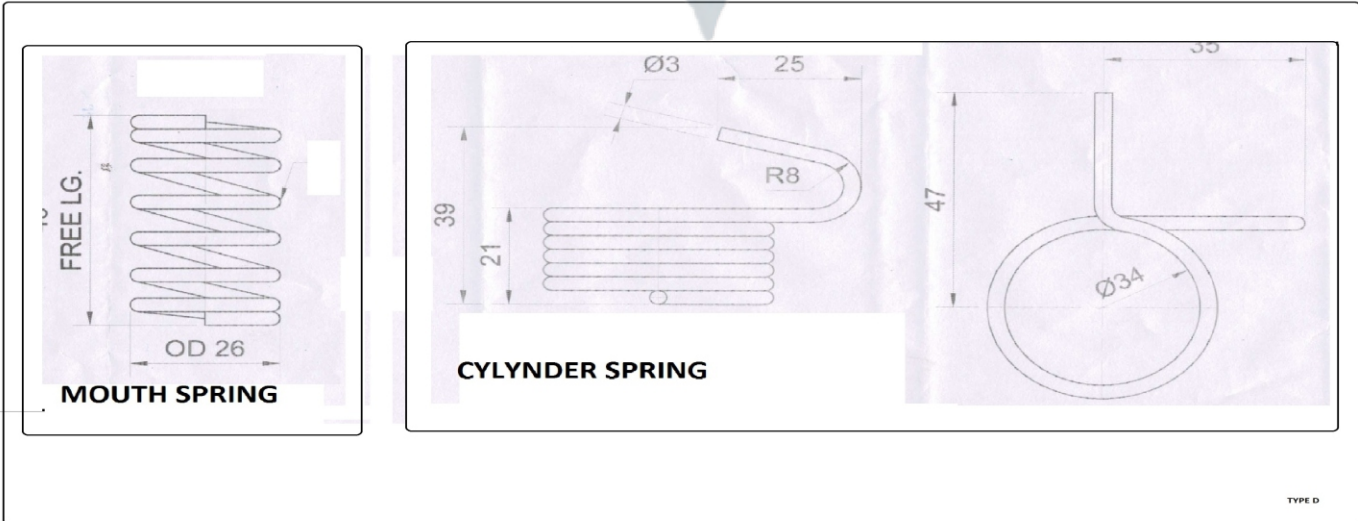
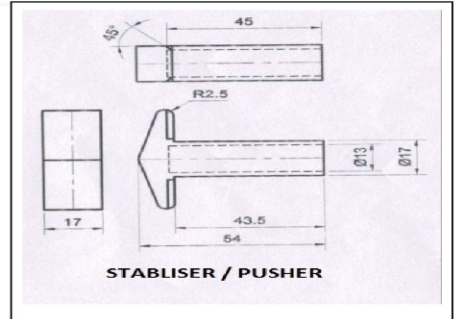
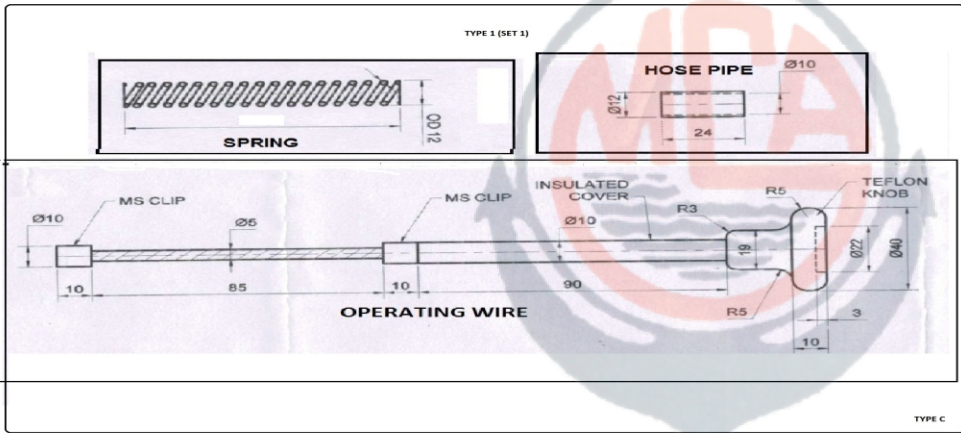
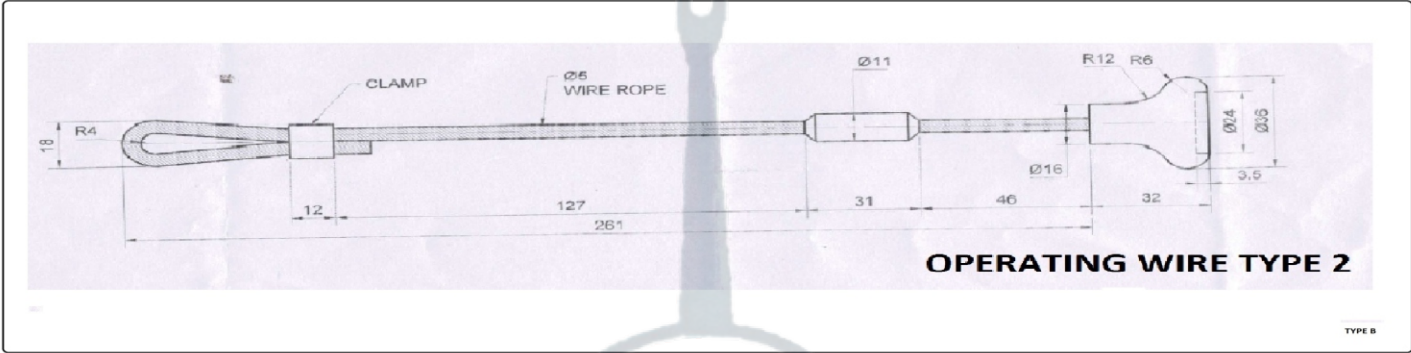
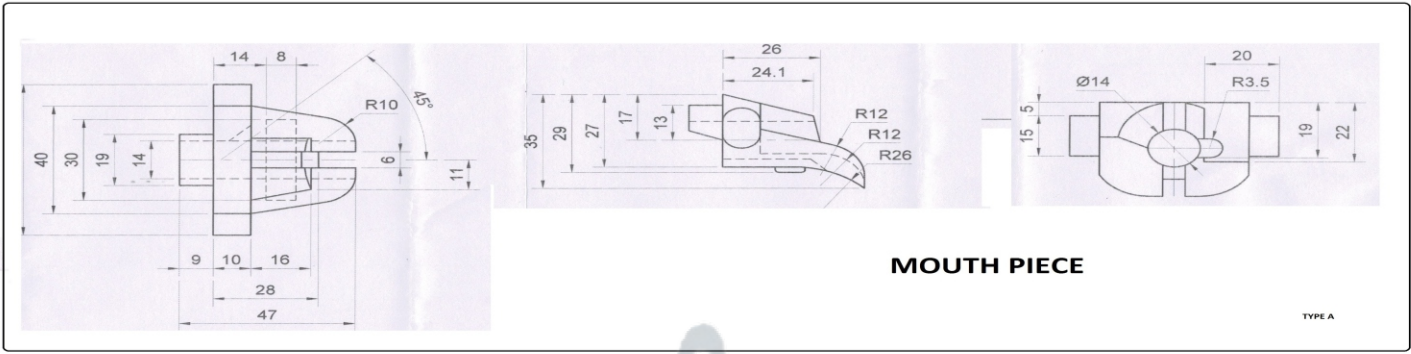


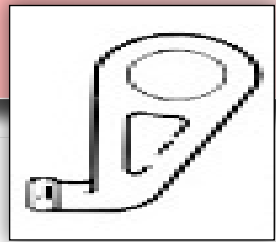
TYPE D



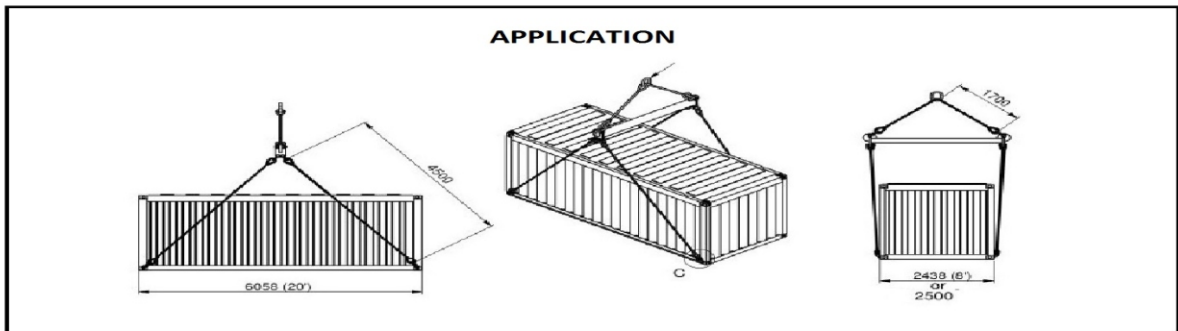
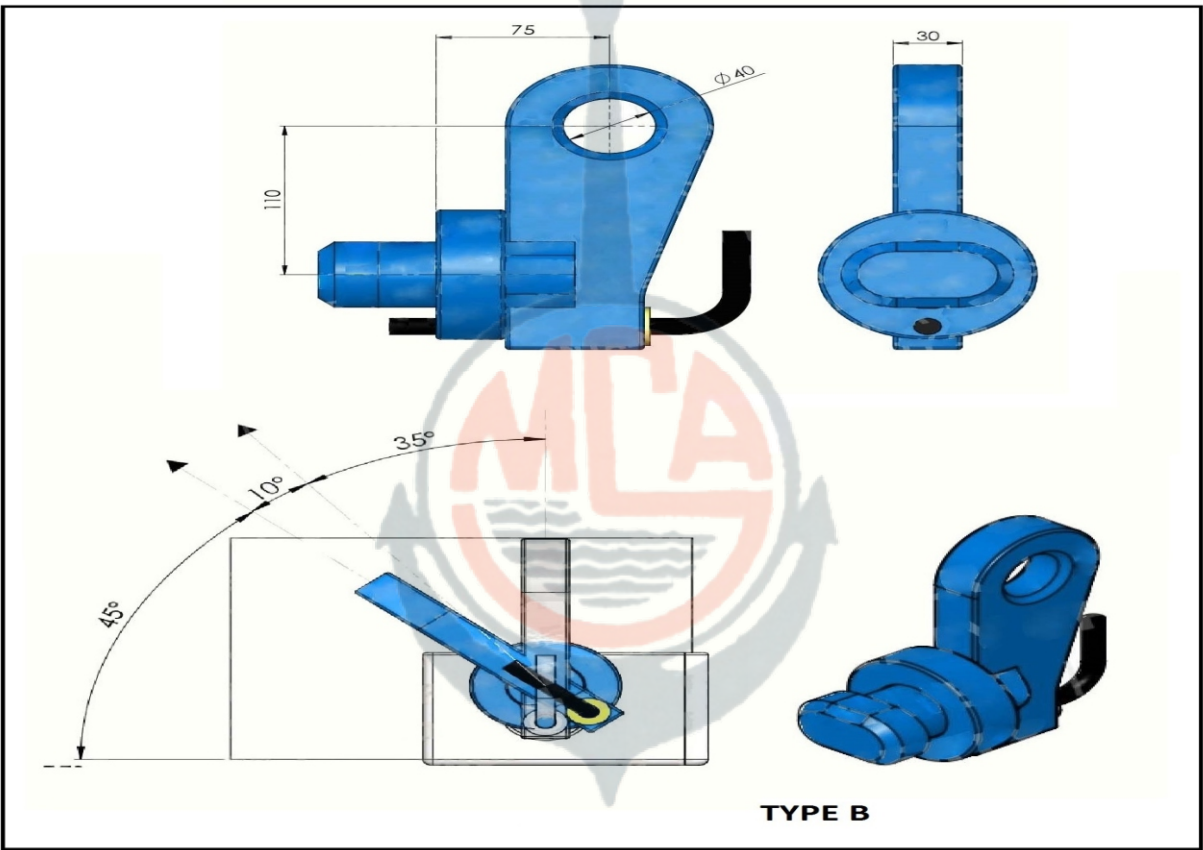
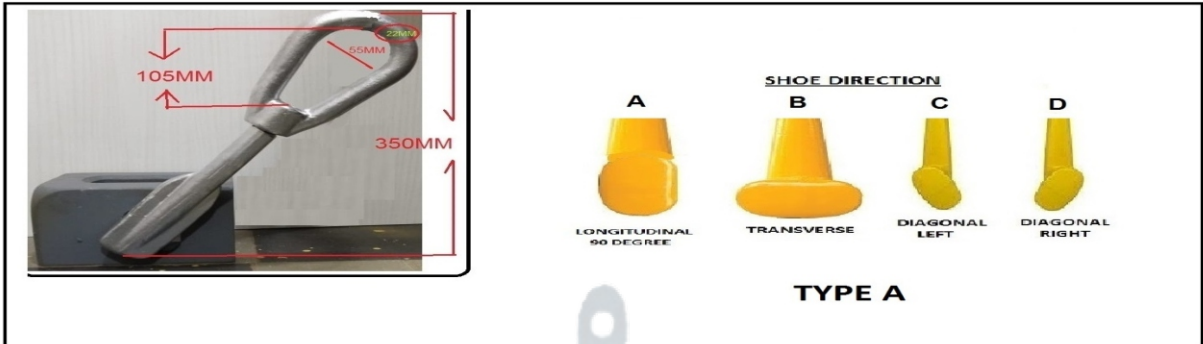


## DRAWING

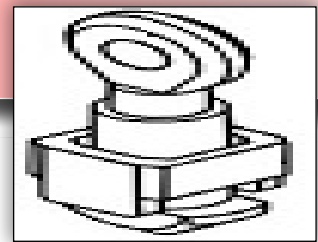




DRAWING

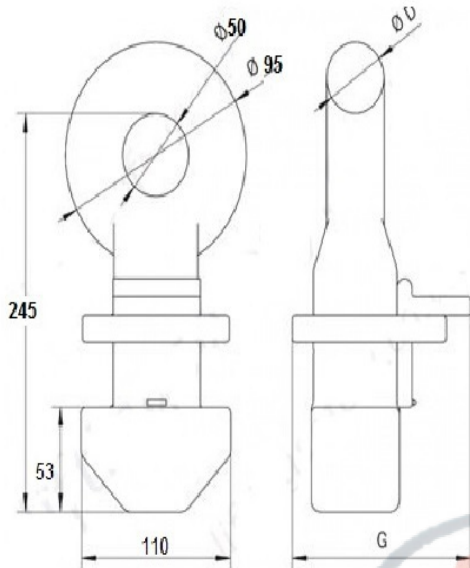




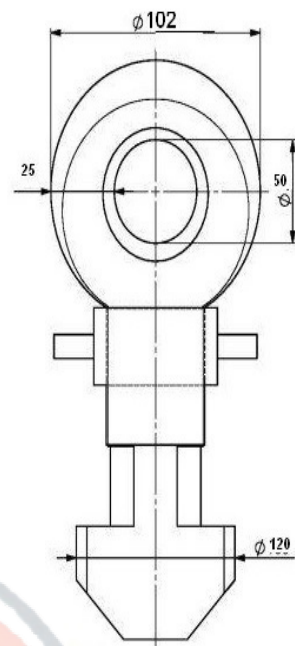


DRAWING

TYPE-A

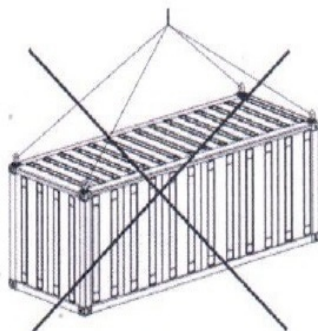


TYPE-B

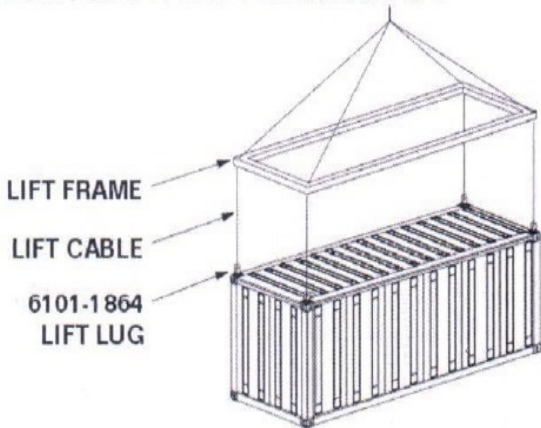


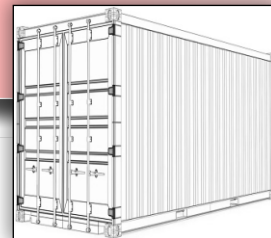
**WARNING:**  
**DESIGNED FOR STRAIGHT LIFT ONLY**

MUST USE LIFT FRAME FOR STRAIGHT LIFT.

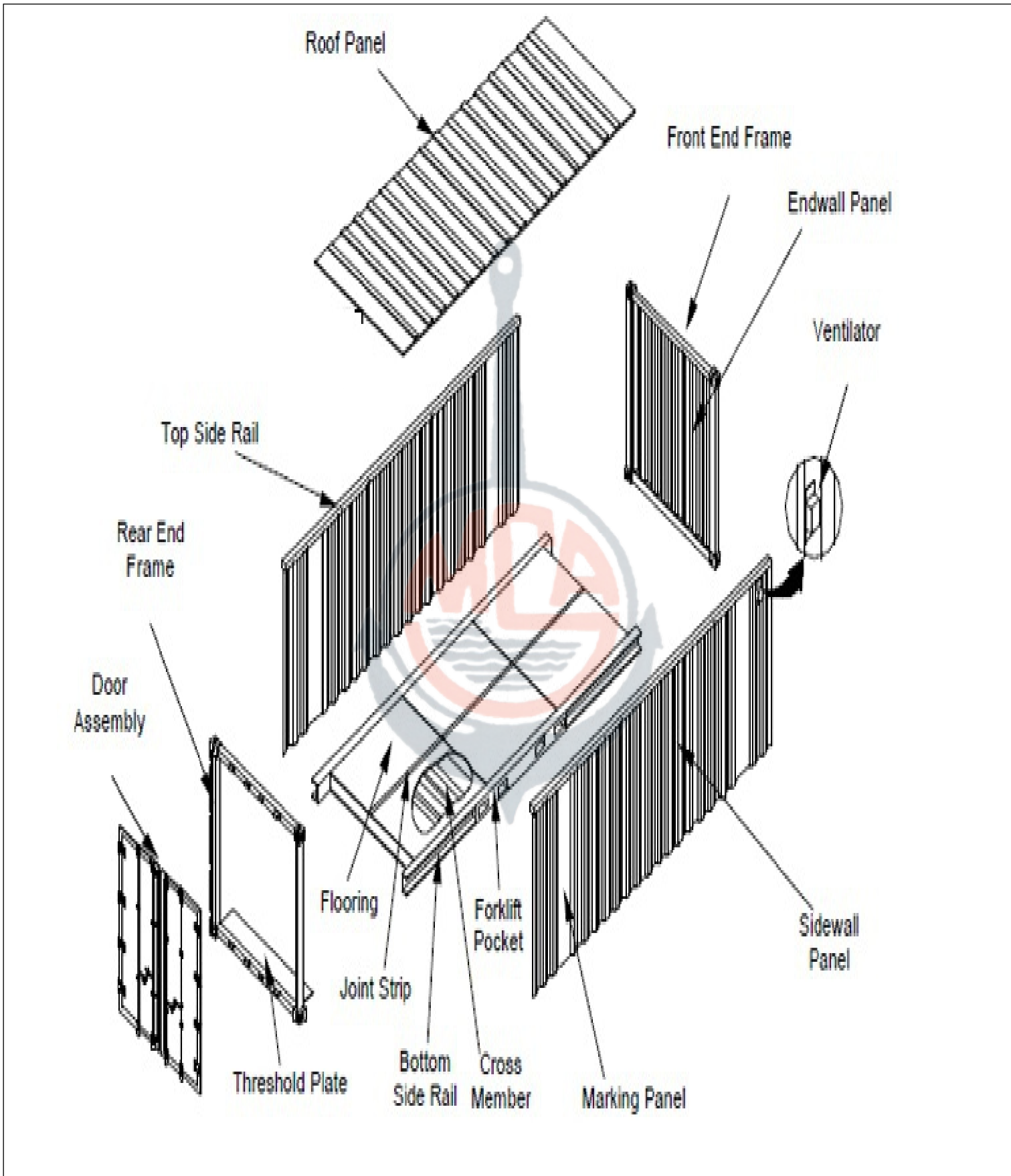


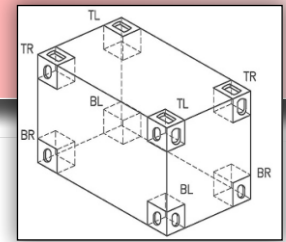
**WARNING**  
THIS TYPE OF LIFT NOT ALLOWED!  
MUST USE LIFT FRAME FOR STRAIGHT LIFT.



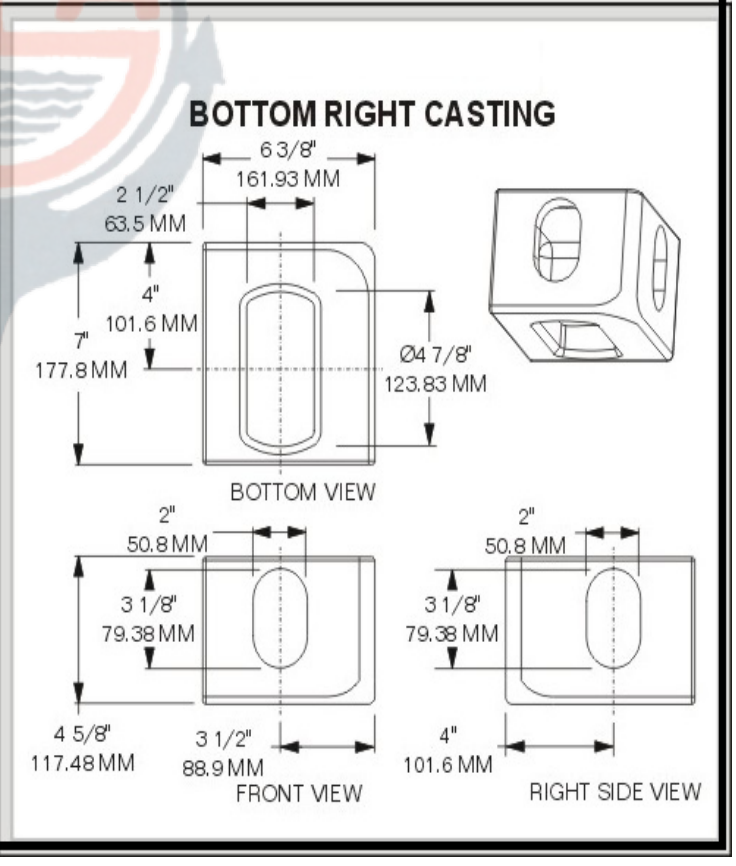
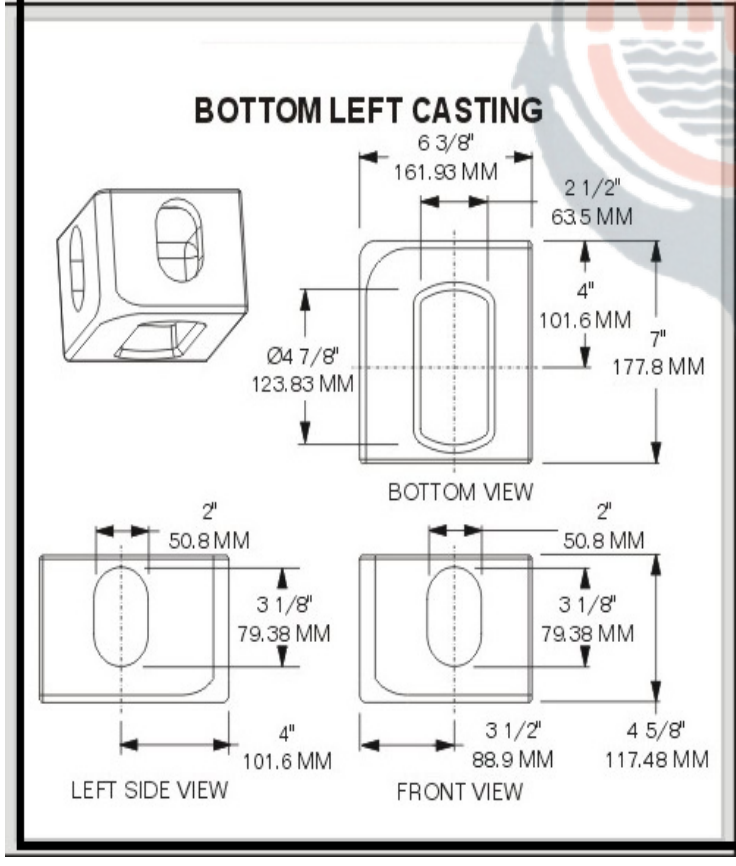
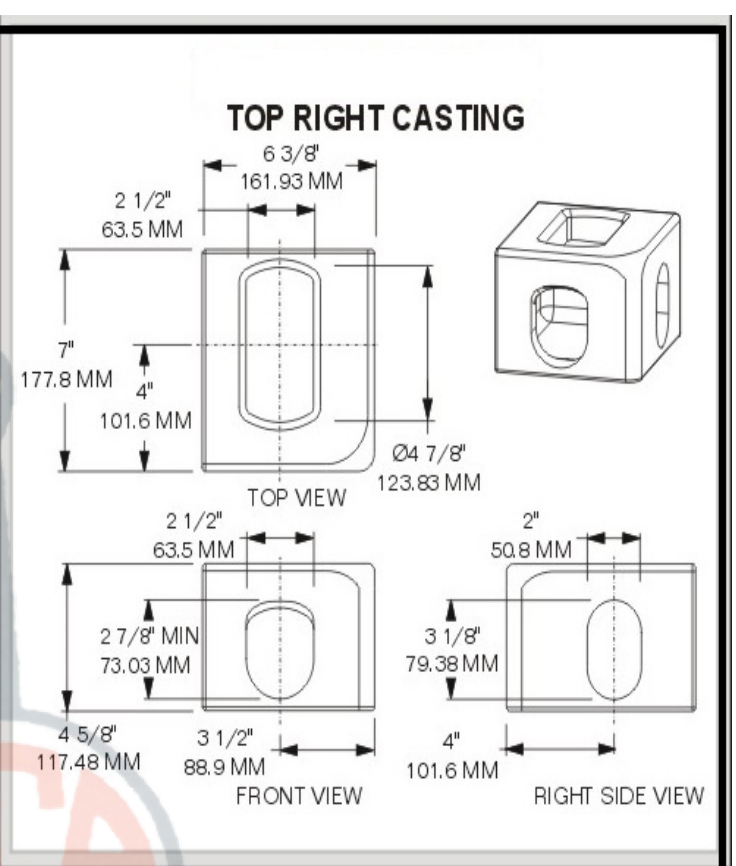
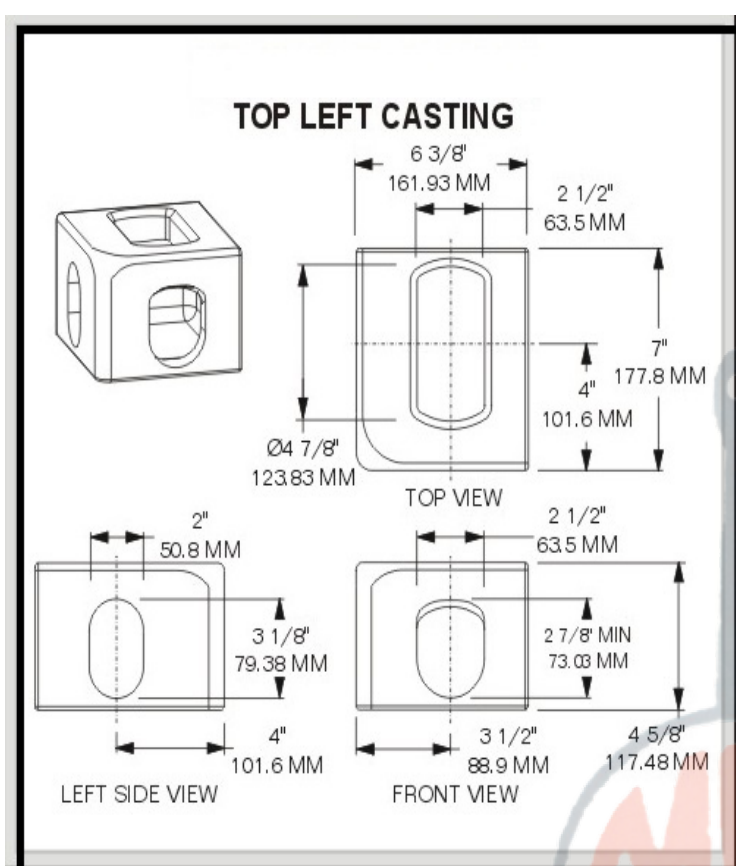


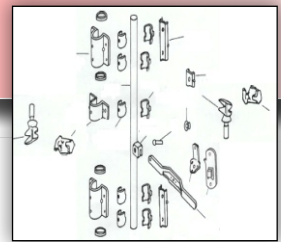
## DRAWING



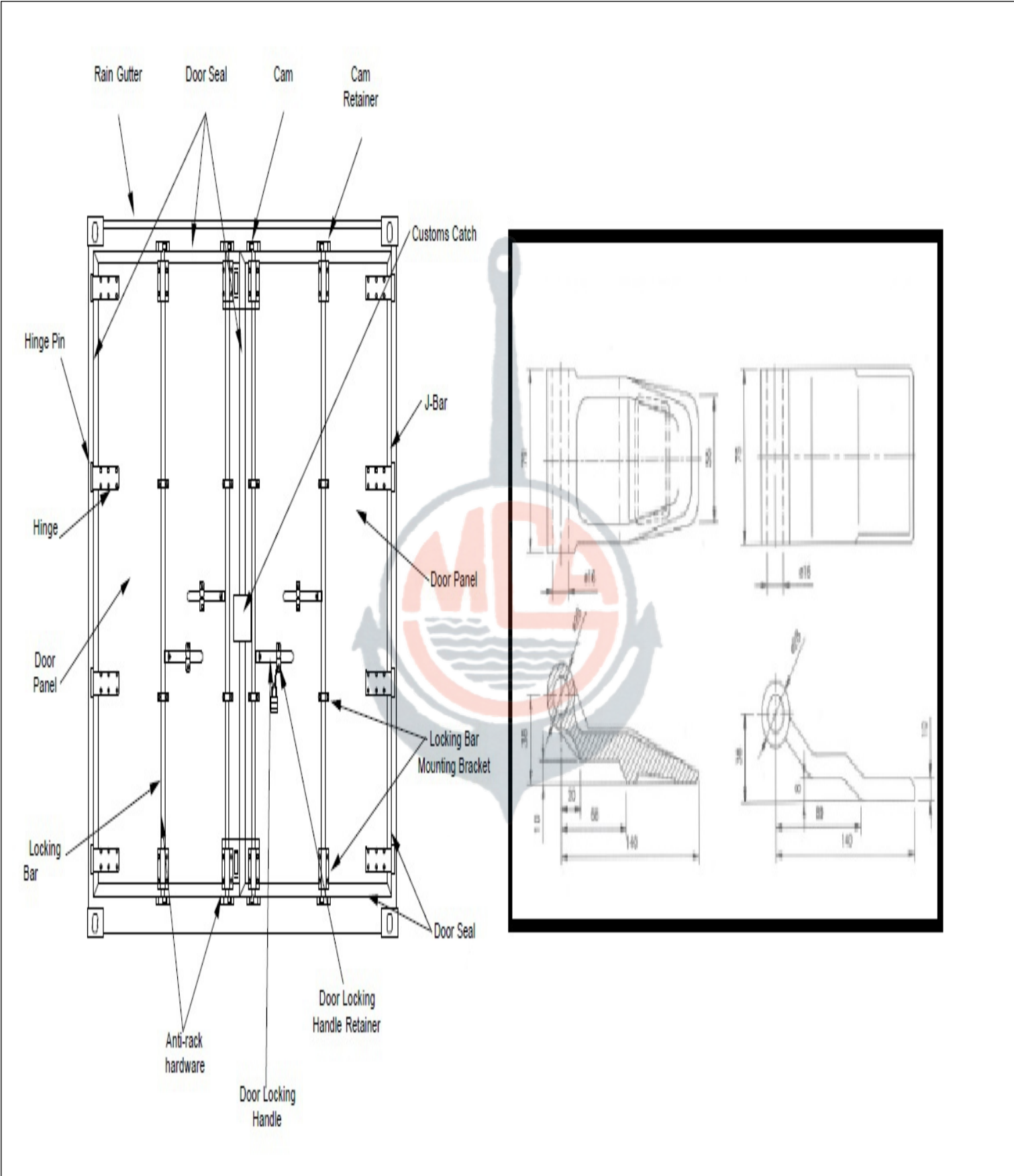


## DRAWING





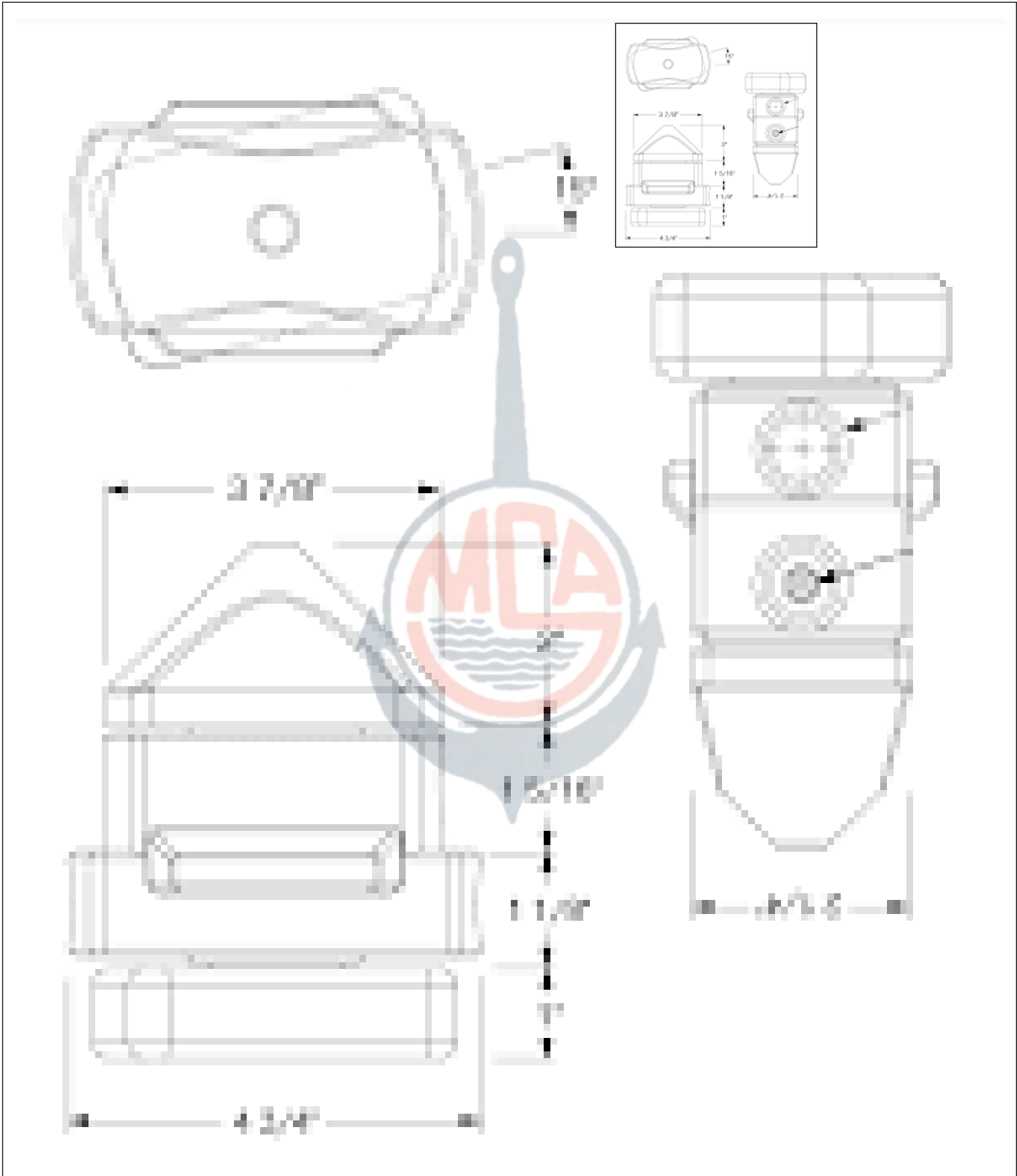
## DRAWING



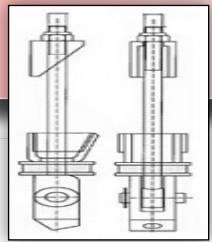




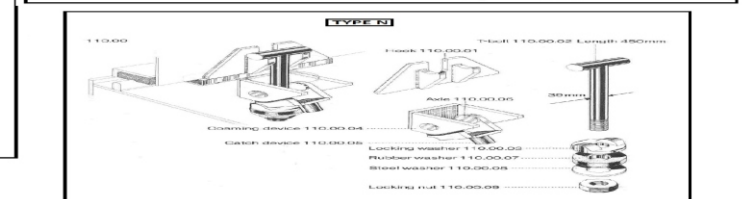
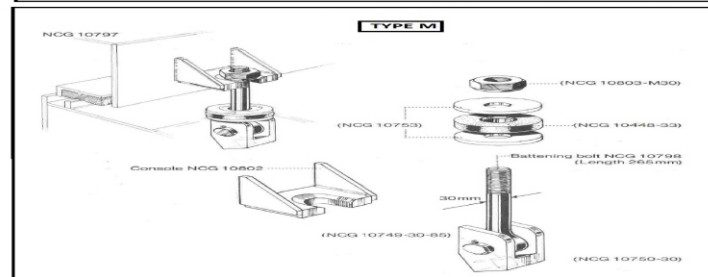
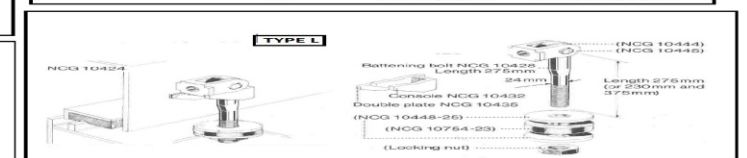
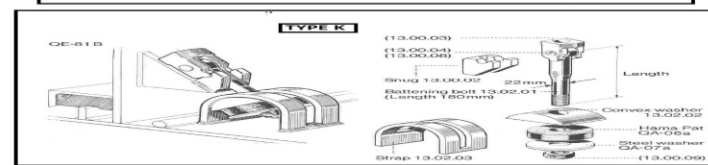
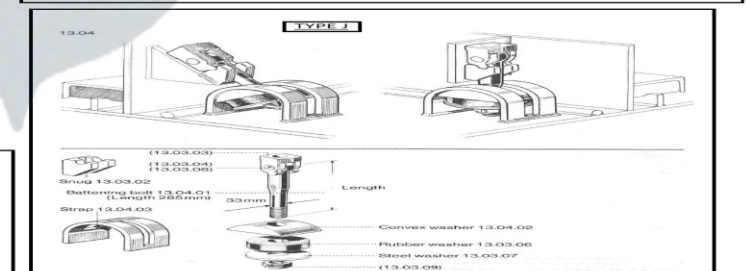
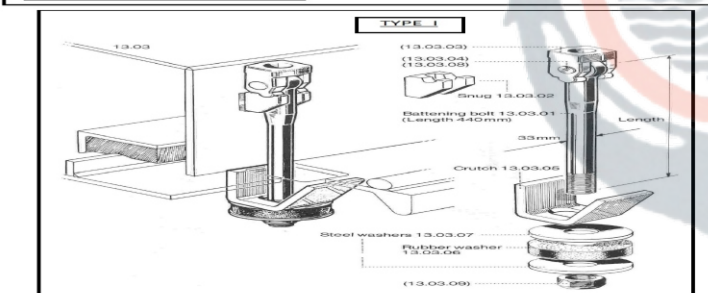
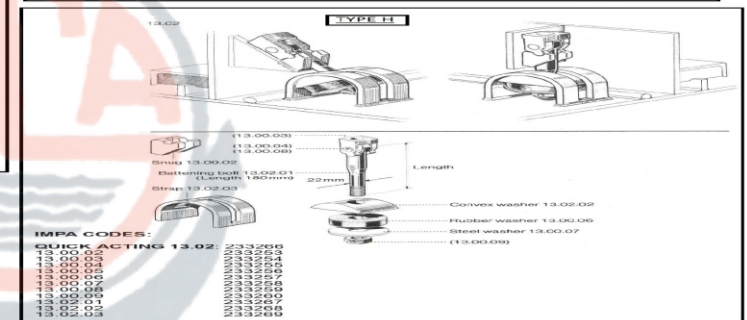
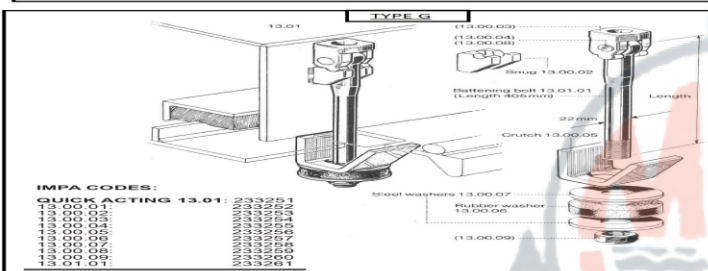
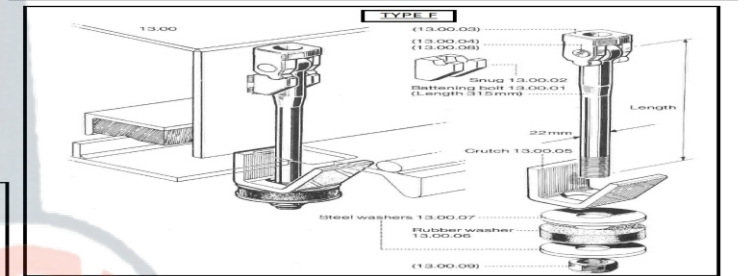
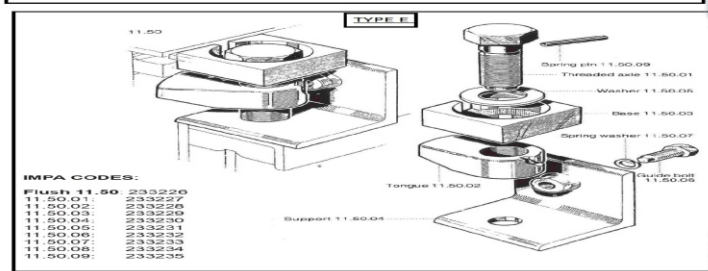
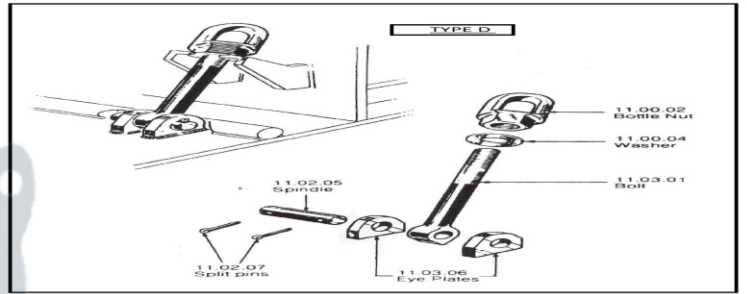
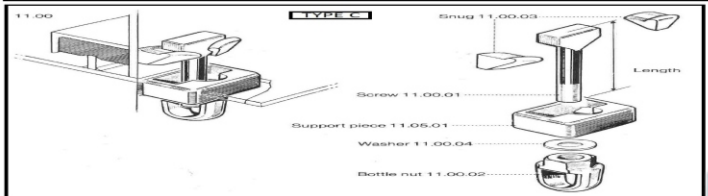
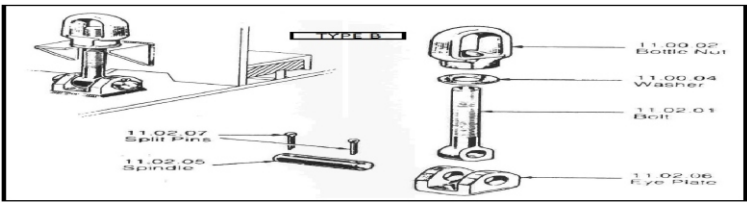
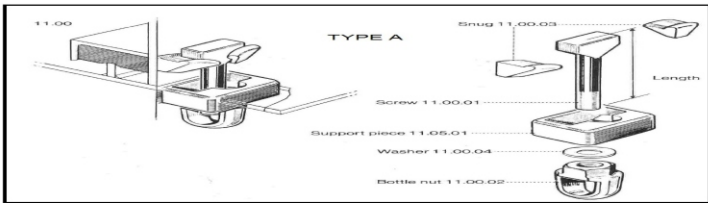
## DRAWING

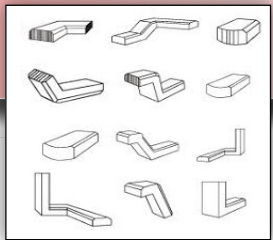






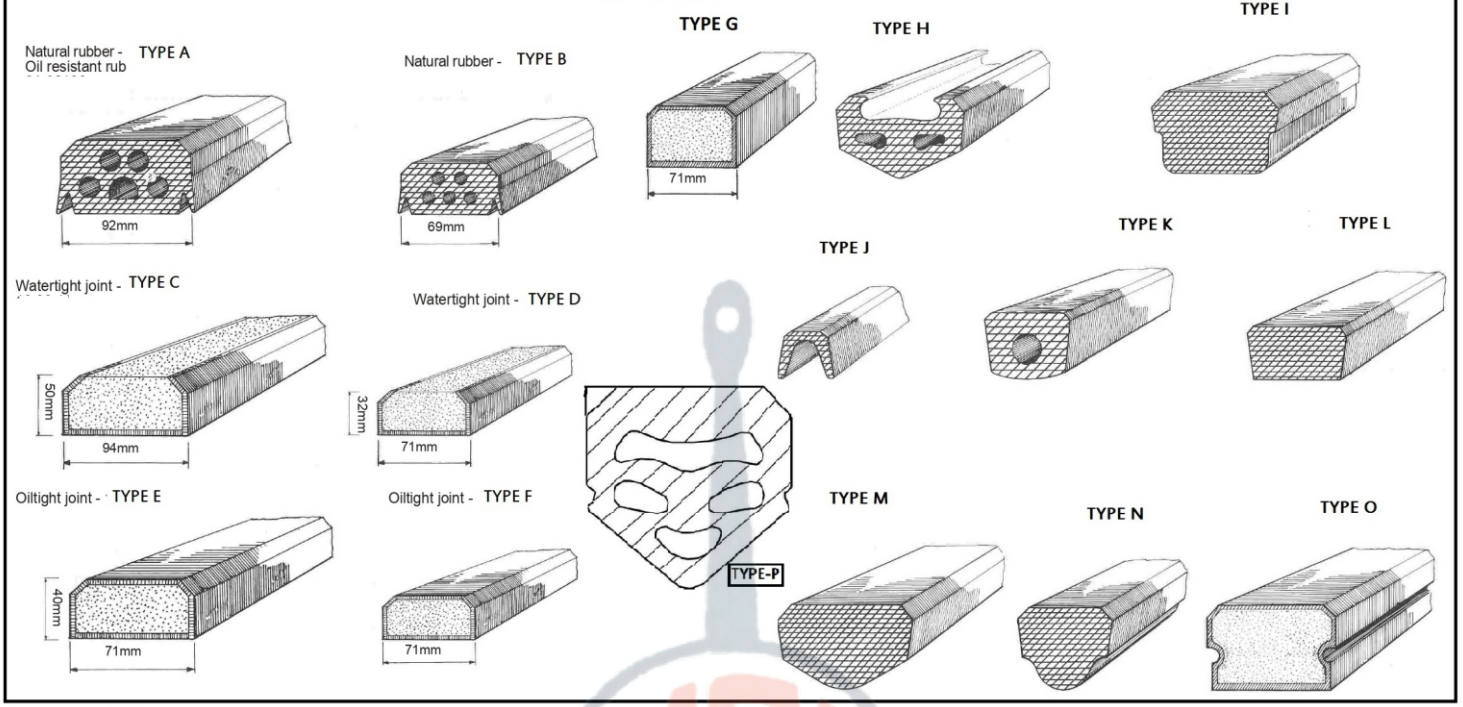
## DRAWING



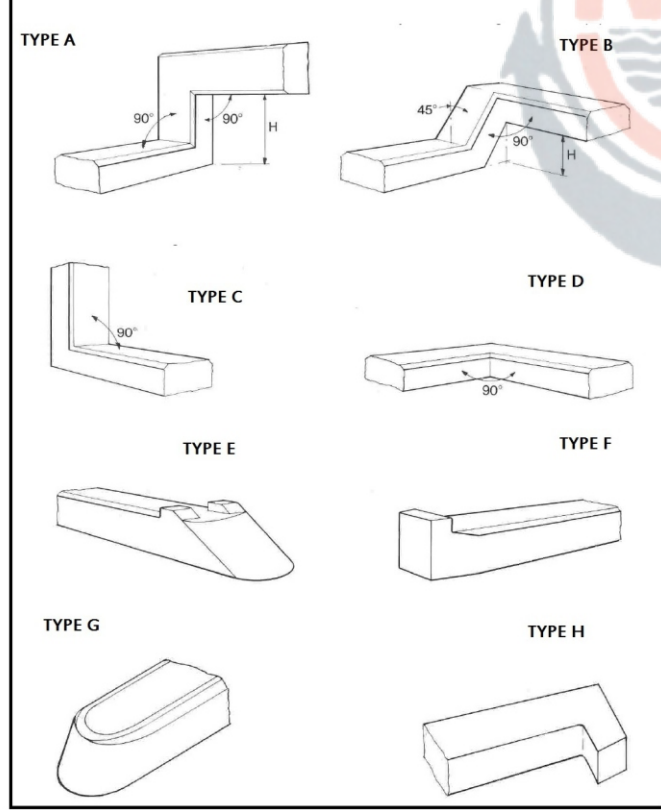


## DRAWING

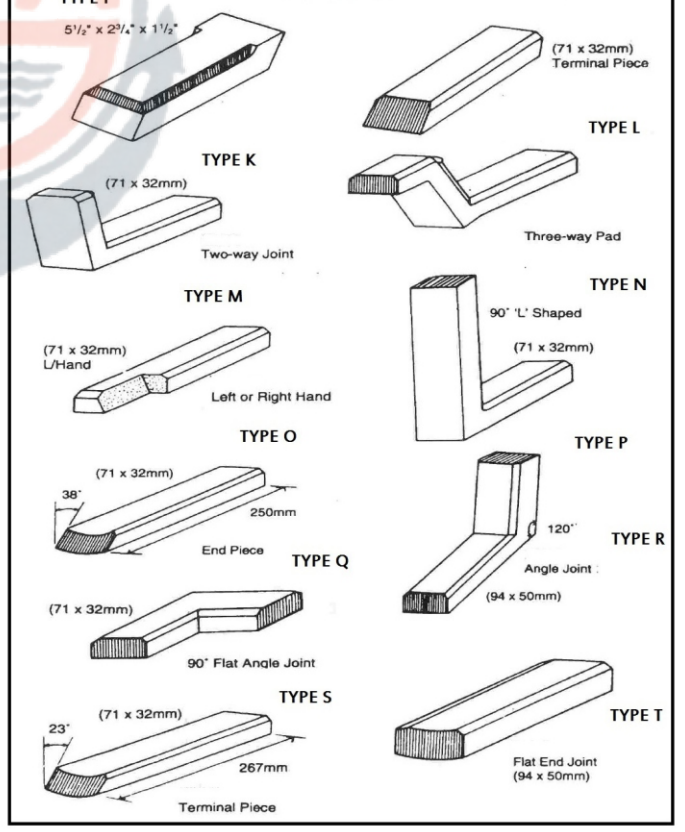
### LINEAR



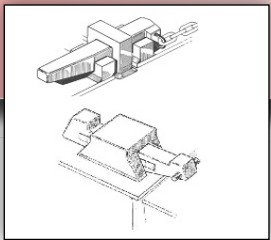
### CORNER AND END PIECES



### CORNER AND END PIECES

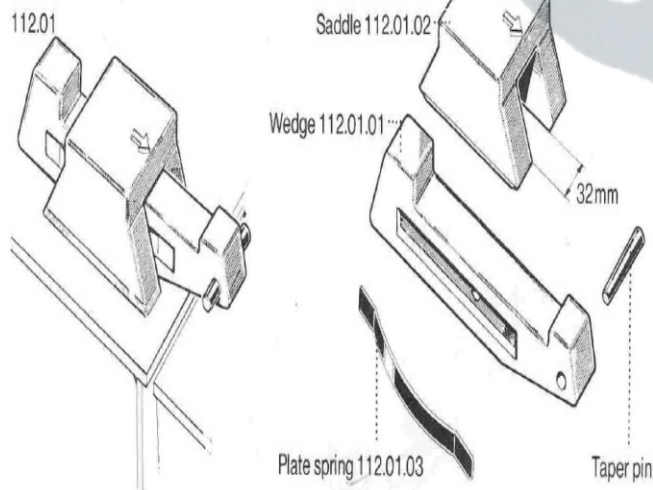
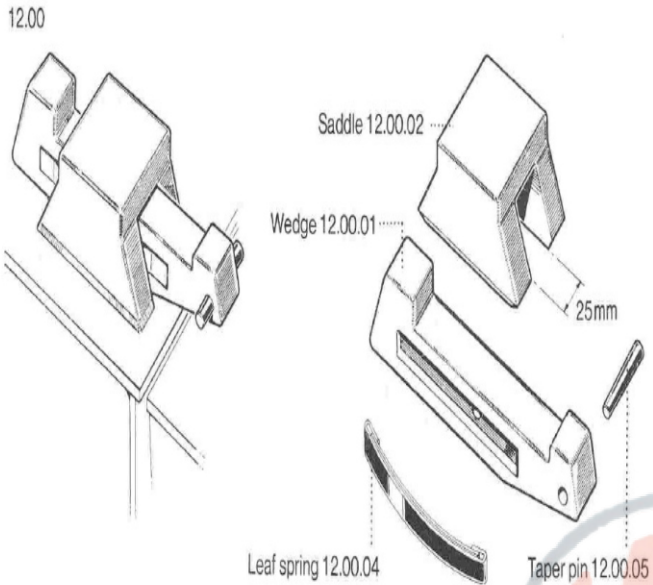




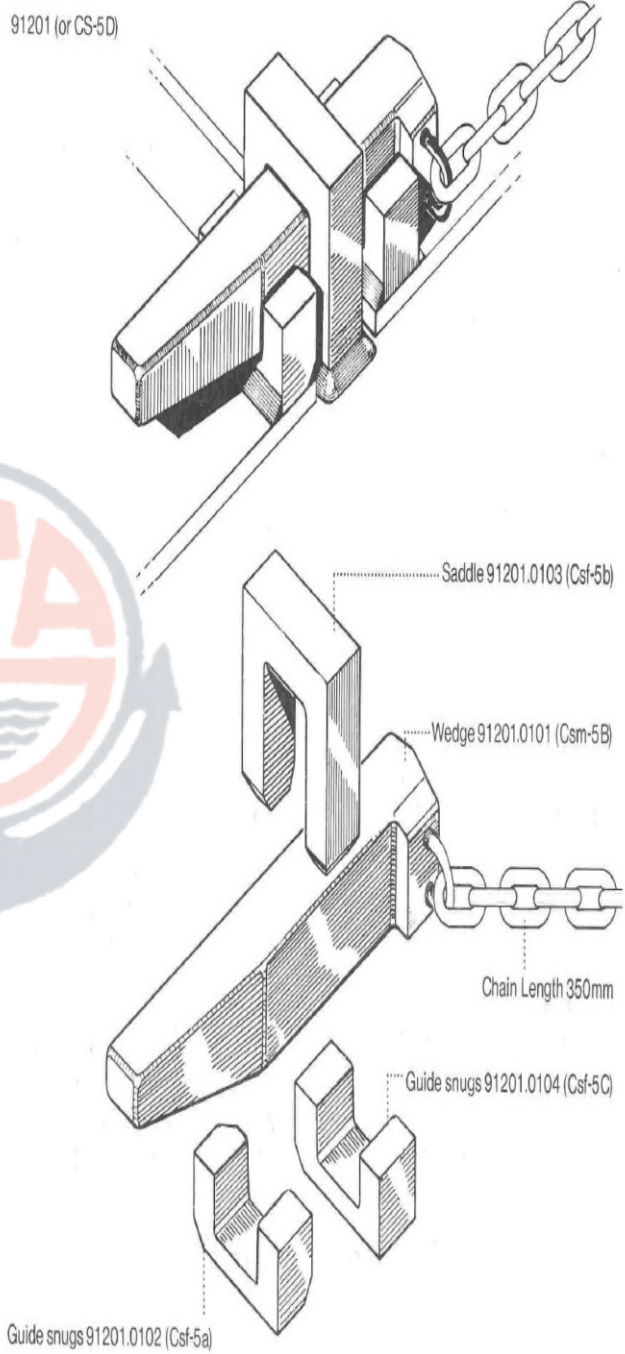


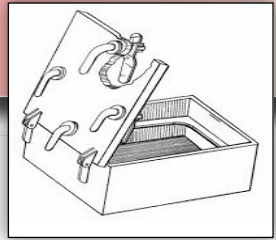
**DRAWING**

**TYPE A**

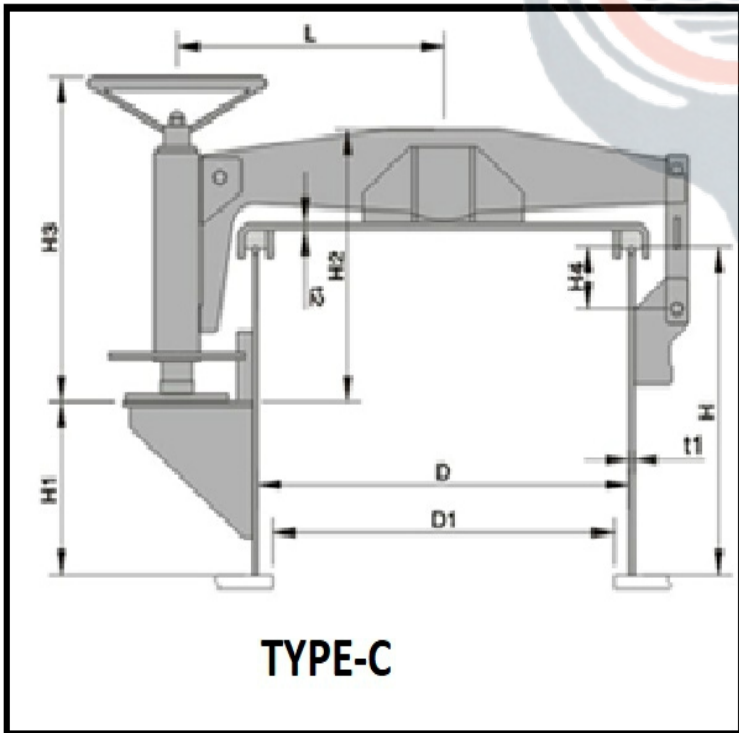
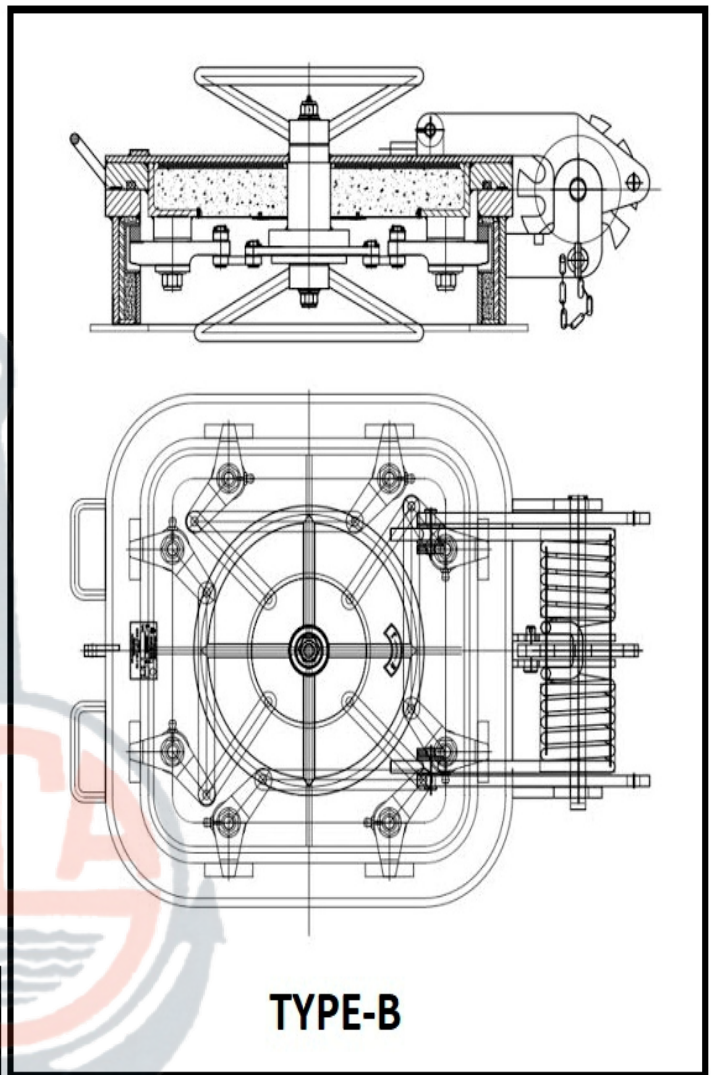
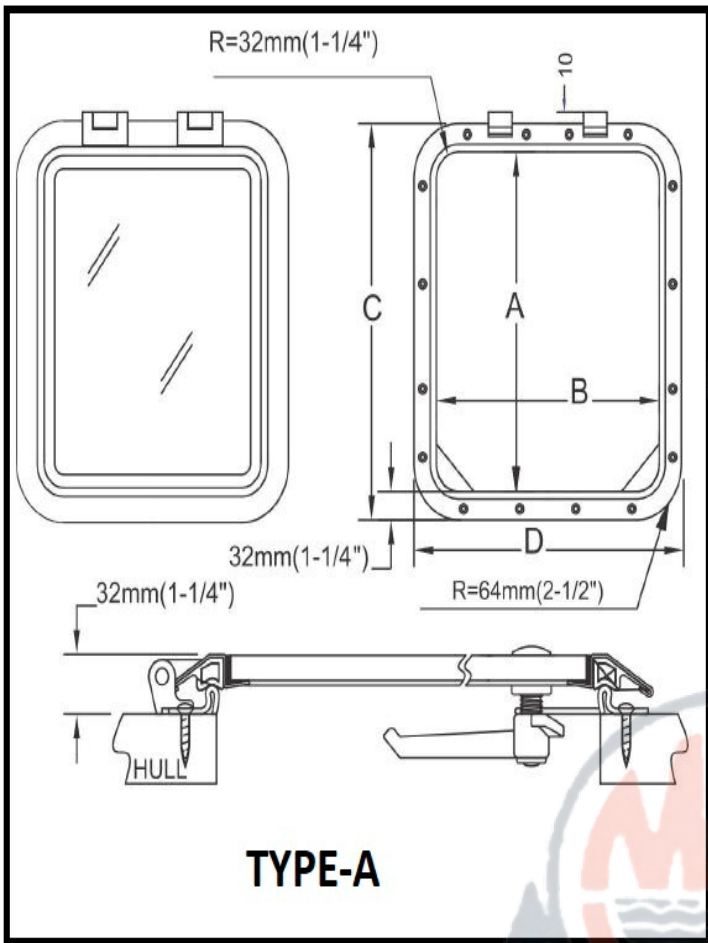


**TYPE B**

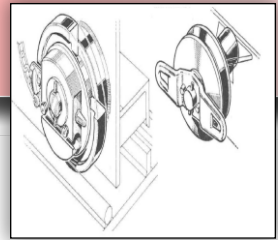




## DRAWING







## DRAWING

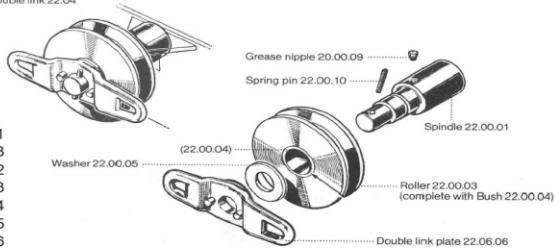
### BALLANCING ROLLER 22.04 DOUBLE LINK 2'5 TONS

Double link 22.04

**TYPE A**

**IMPA CODES:**

- 22.04: 233291
- 20.00.09: 233283
- 22.00.01: 233292
- 22.00.03: 233293
- 22.00.04: 233294
- 22.00.05: 233295
- 22.00.10: 233296
- 22.06.06: 233297



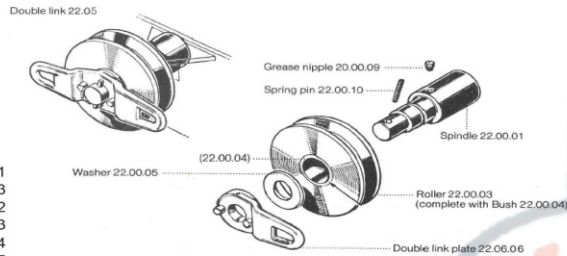
### BALLANCING ROLLER 22.05 SINGLE LINK 2'5-4 TONS

Double link 22.05

**TYPE B**

**IMPA CODES:**

- 22.05: 233301
- 20.00.09: 233283
- 22.00.01: 233292
- 22.00.03: 233293
- 22.00.04: 233294
- 22.00.05: 233295
- 22.00.10: 233296
- 22.07.06: 233302



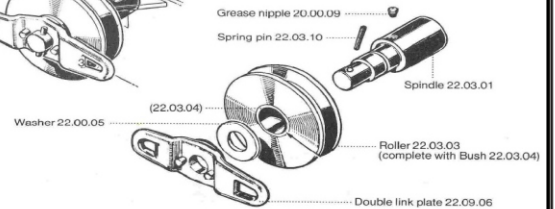
### BALLANCING ROLLER 22.09 DOUBLE ABOVE 4 TONS

Double link 22.09

**TYPE C**

**IMPA CODES:**

- 22.09: 233306
- 20.00.09: 233283
- 20.03.01: 233307
- 22.03.03: 233308
- 22.03.04: 233309
- 22.03.05: 233310
- 22.03.10: 233311
- 22.09.06: 233312



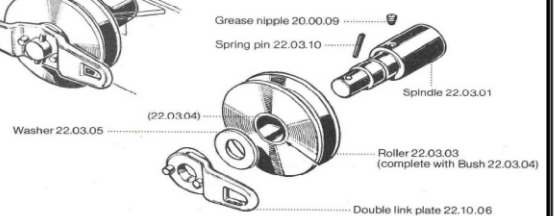
### BALLANCING ROLLER 22.10 SINGLE ABOVE 4 TONS

Double link 22.10

**TYPE D**

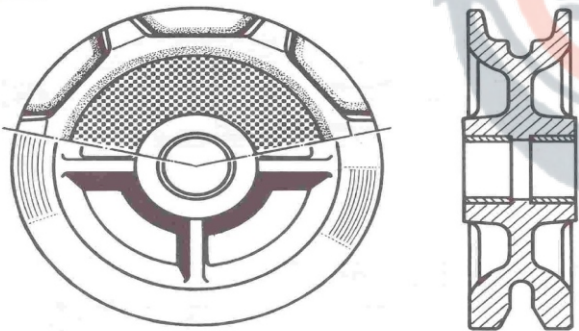
**IMPA CODES:**

- 22.10: 233316
- 20.00.09: 233283
- 20.03.01: 233307
- 22.03.03: 233308
- 22.03.04: 233309
- 22.03.05: 233310
- 22.03.10: 233311
- 22.10.06: 233317



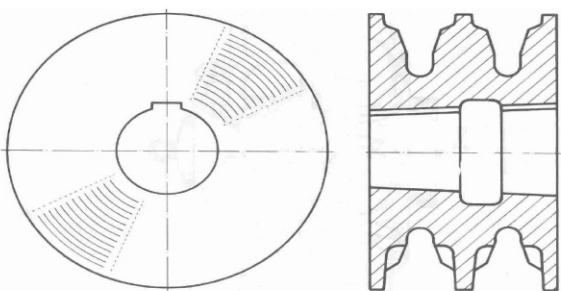
### CHAIN GUIDE ROLLERS OF ALL TYPES IN ALL SIZES

**TYPE E**

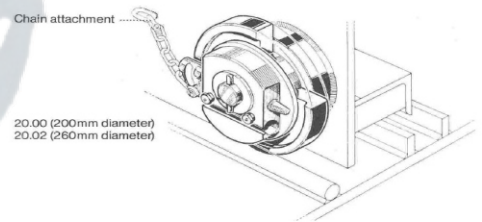


### SPROCKET WHEELS

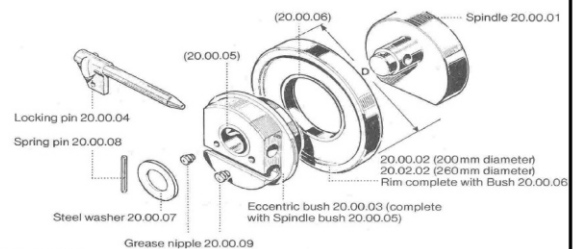
**TYPE F**



**TYPE G**

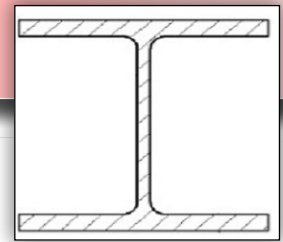


**IMPA CODE: 233271**

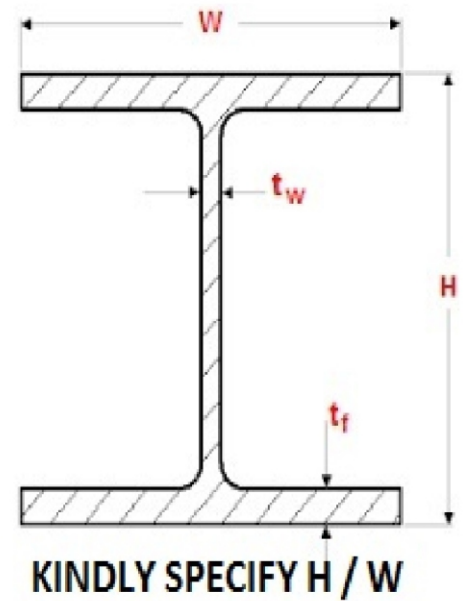
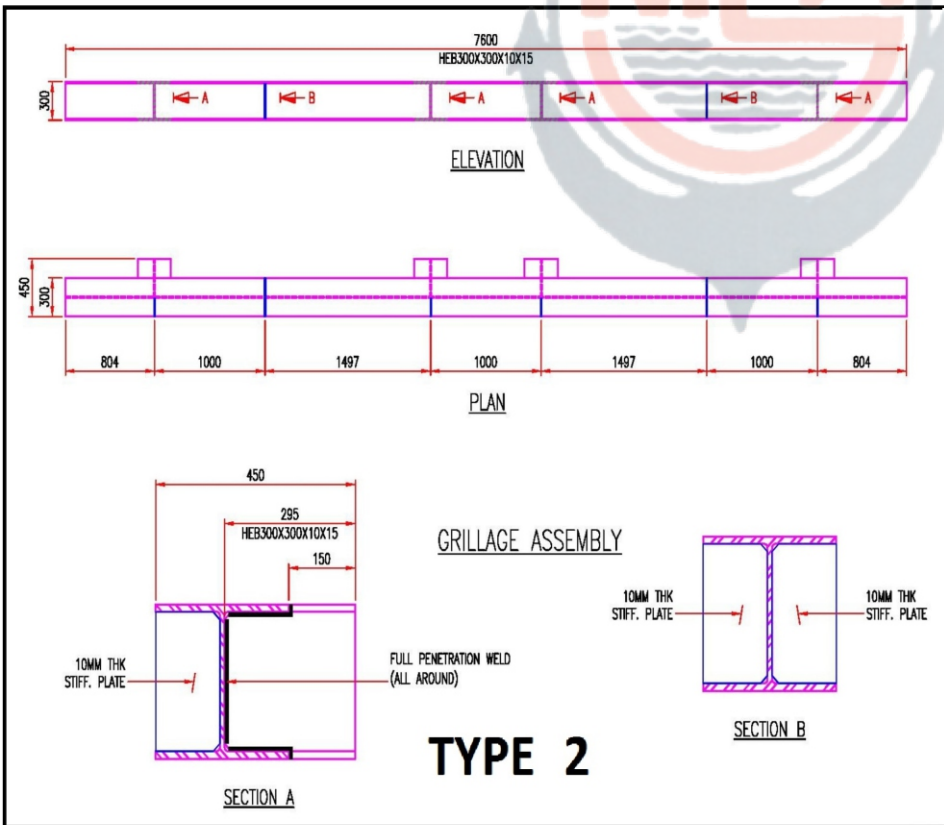
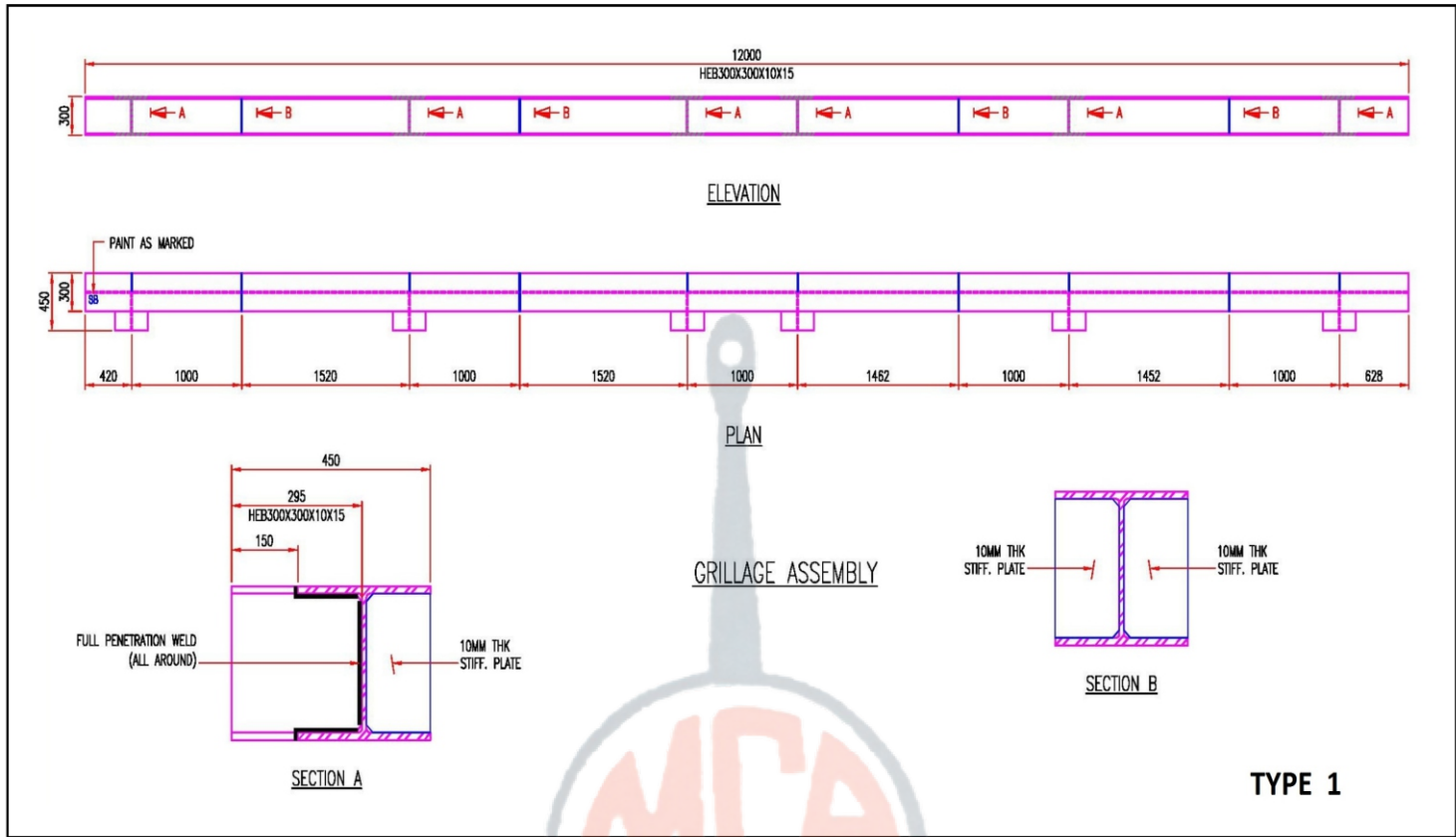


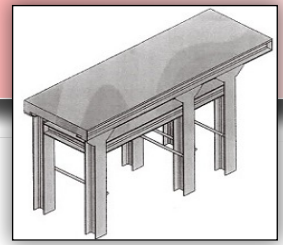
**IMPA CODES:**

- ECCENTRIC 20.02:** 233273
- 20.03: 233274
- 20.00.01: 233275
- 20.00.02: 233276
- 20.00.03: 233277
- 20.00.04: 233278
- 20.00.05: 233279
- 20.00.06: 233280
- 20.00.07: 233281
- 20.00.08: 233282
- 20.00.09: 233283
- 20.00.10: 233284
- 20.02.02: 233285



## DRAWING

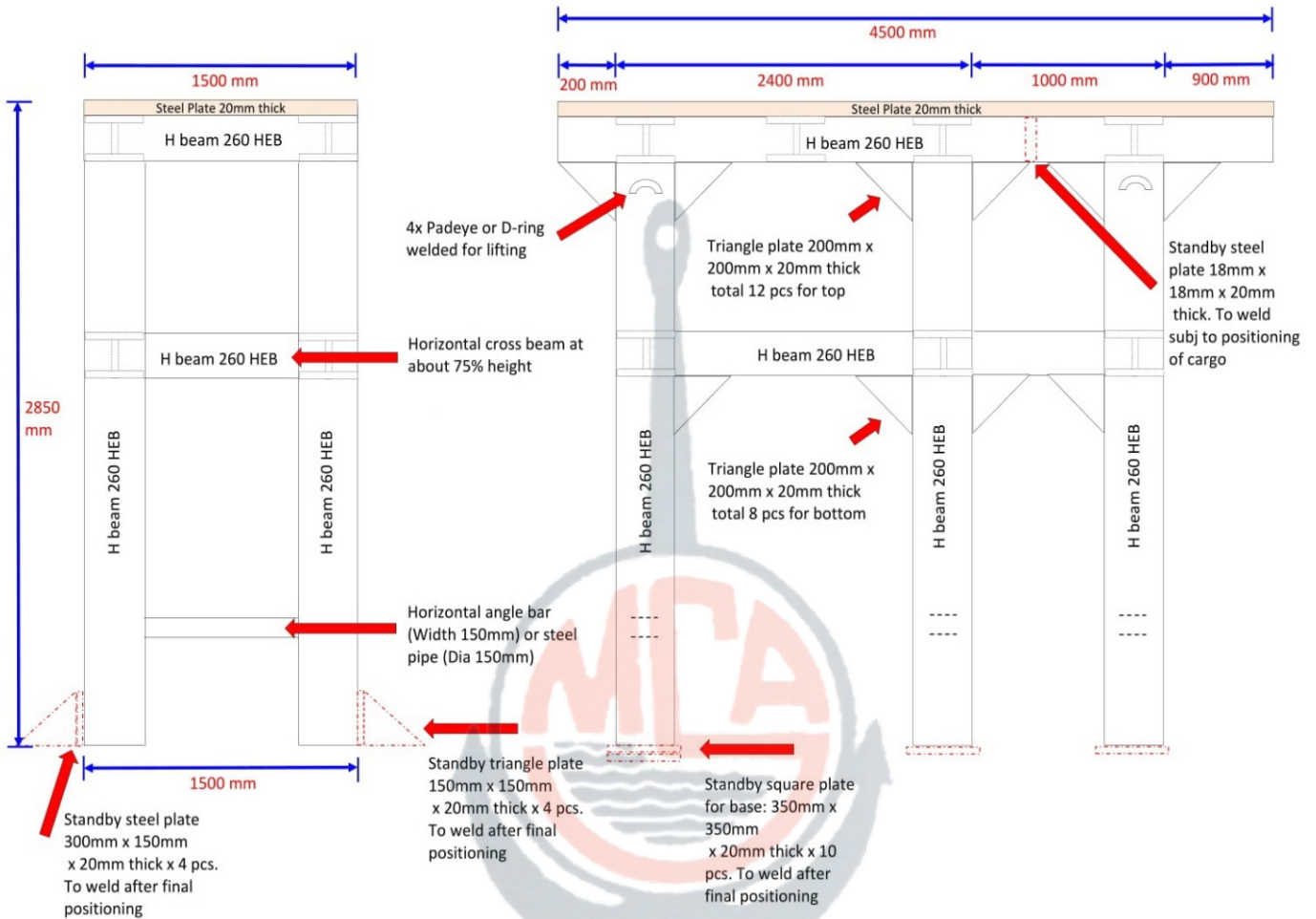




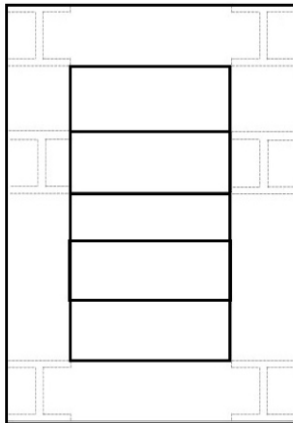
## DRAWING

Front view - Transverse

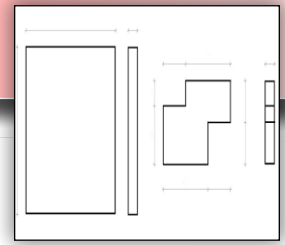
Side view - Longitudinal



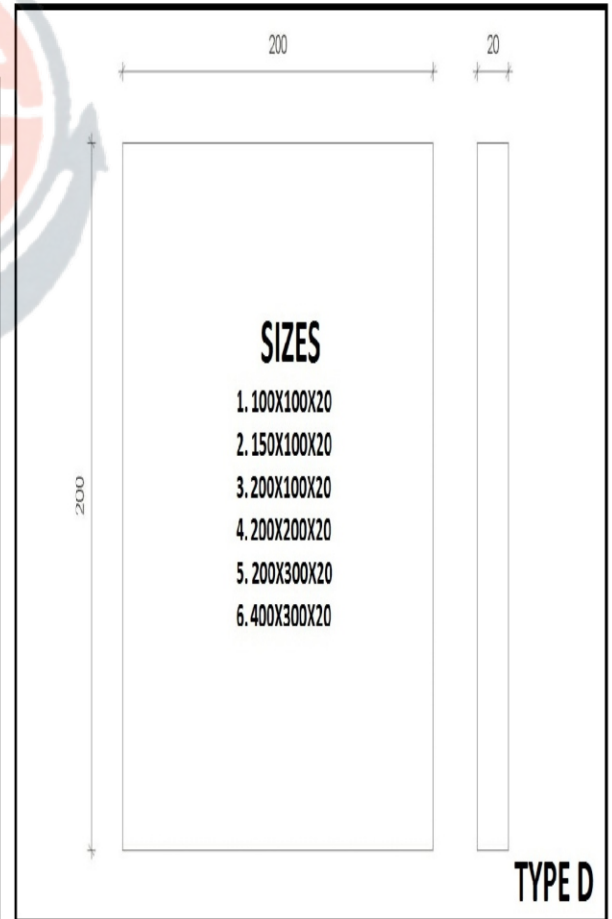
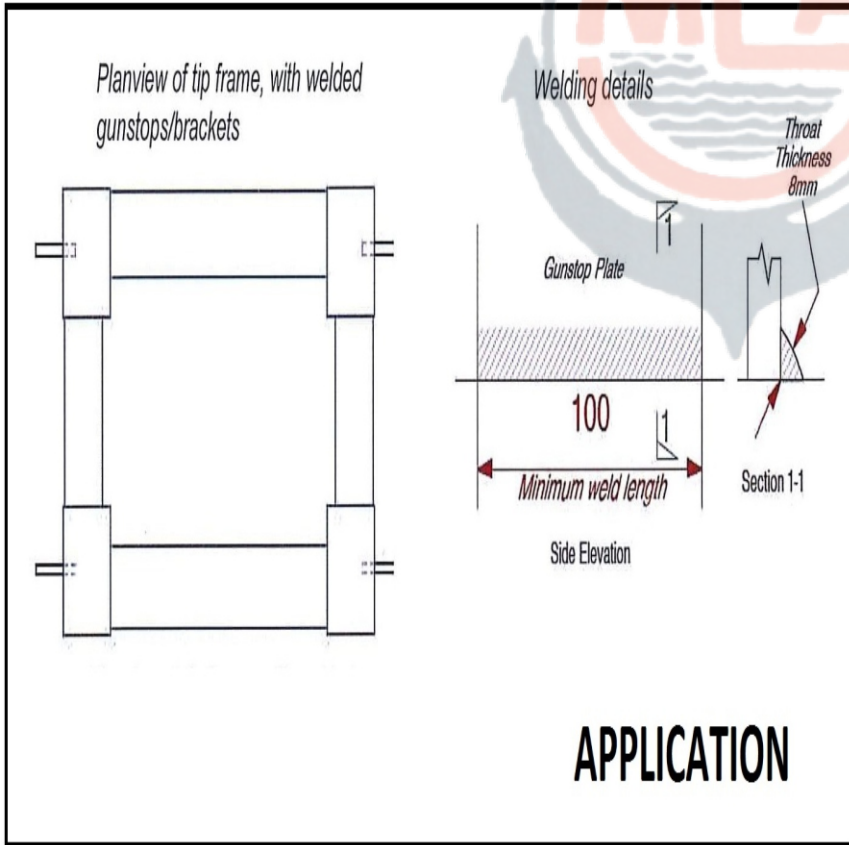
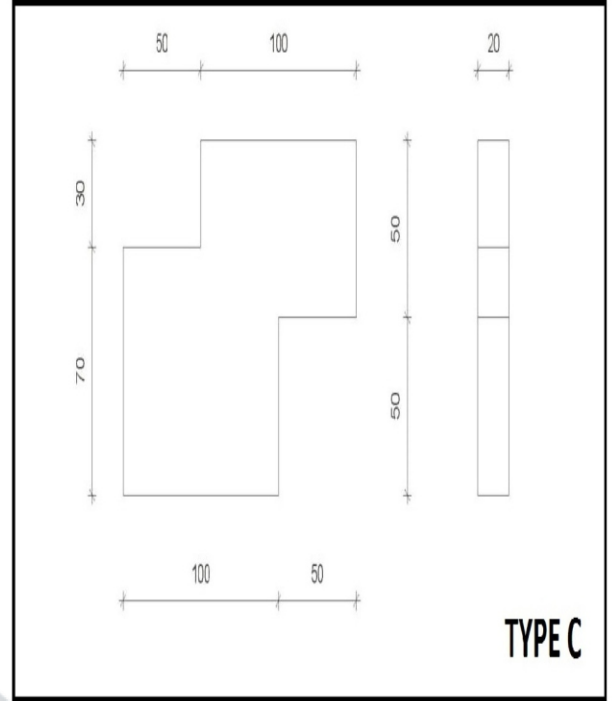
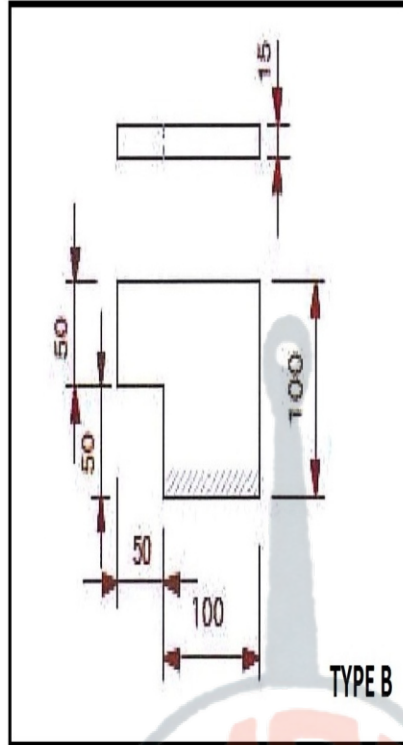
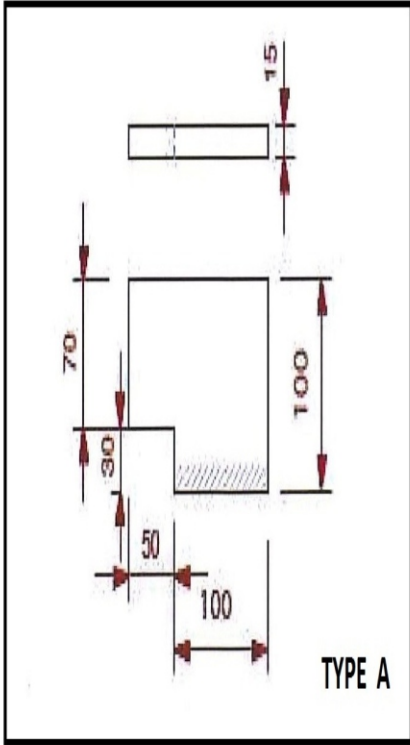
Cross section



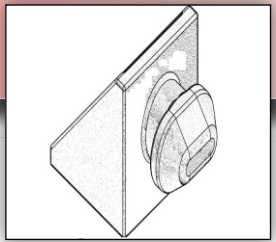




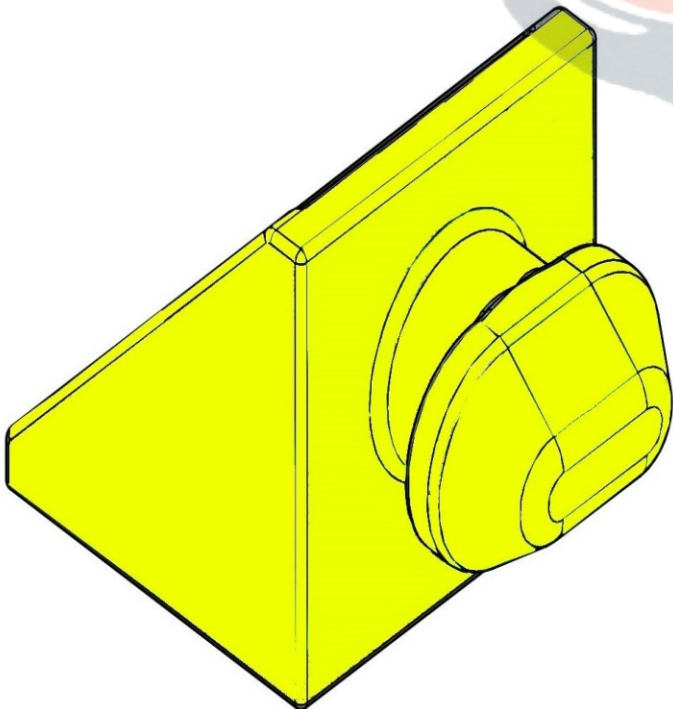
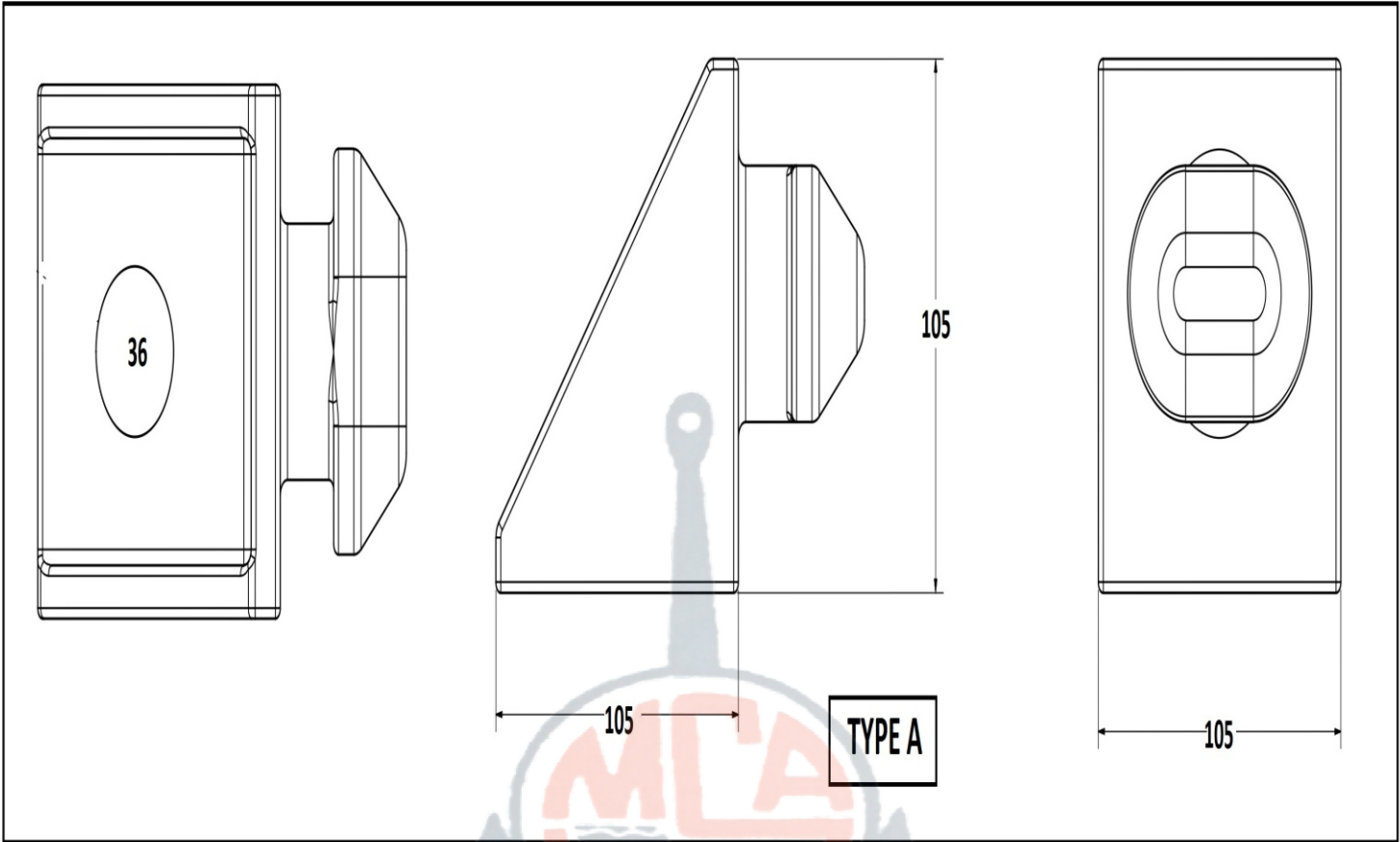
## DRAWING

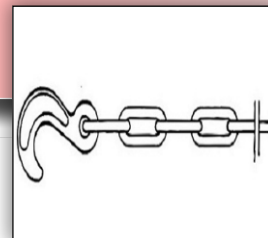






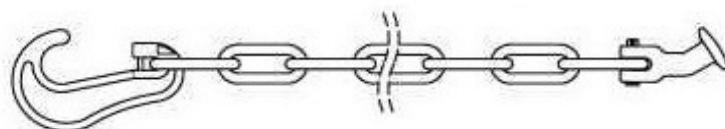
**DRAWING**





## DRAWING

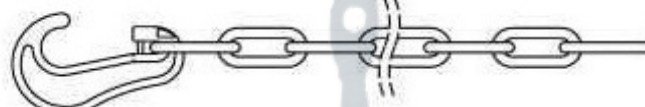
**TYPE 1**



**TYPE 2**



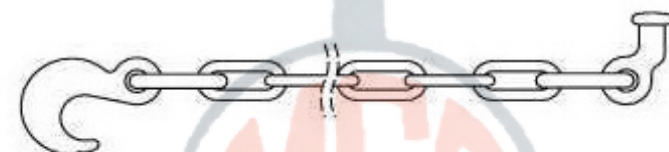
**TYPE 3**



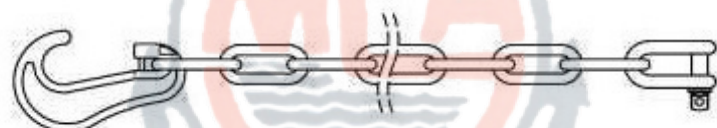
**TYPE 4**



**TYPE 5**



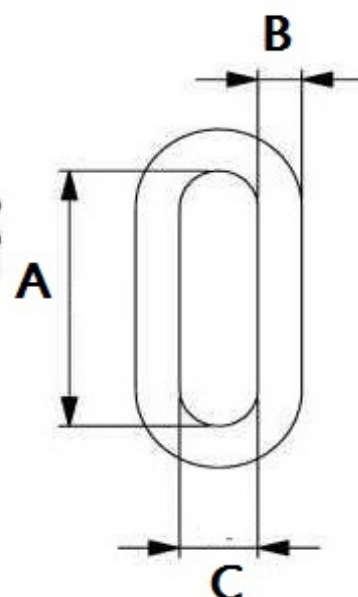
**TYPE 6**



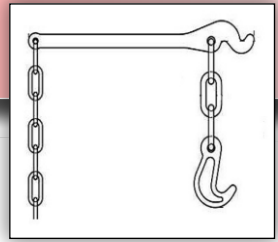
**TYPE 7**



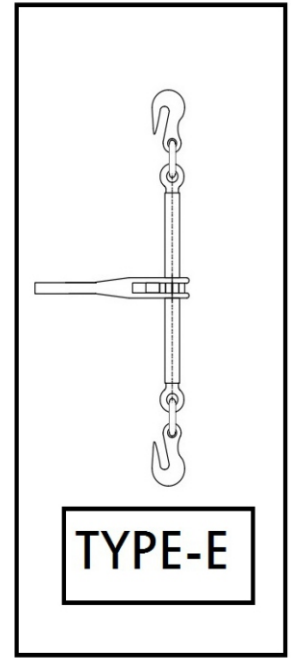
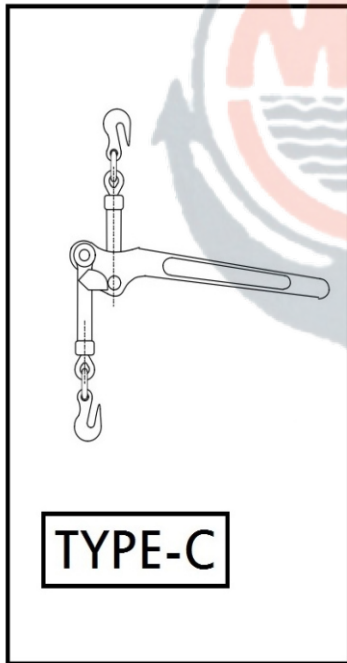
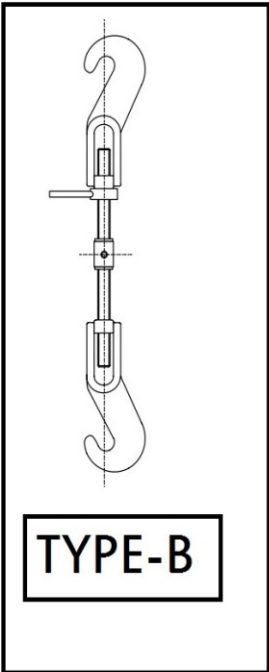
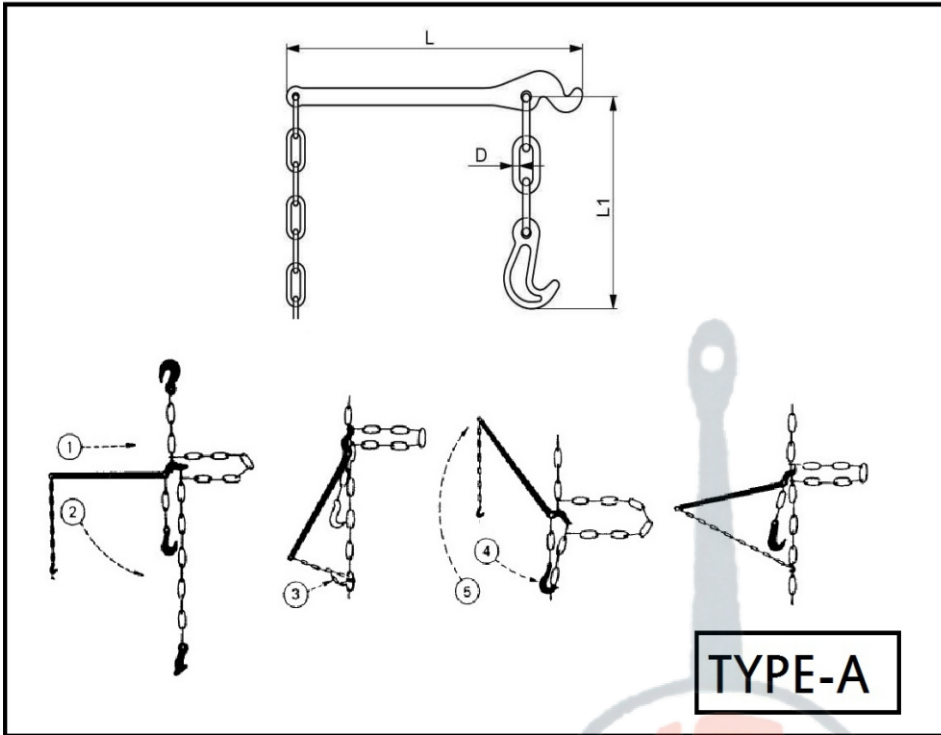
**TYPE 8**



INNER DIAMETER "B"	INNER LENGTH "A"	INNER WIDTH "C"	WEIGHT/M	STRENGTH MSL	STRENGTH BL
9MM	56MM	15MM	1.45MM	50	100
11MM	65MM	18MM	2.20MM	75	150
13MM	80MM	21MM	2.90MM	100	200



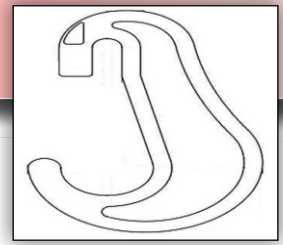
## DRAWING



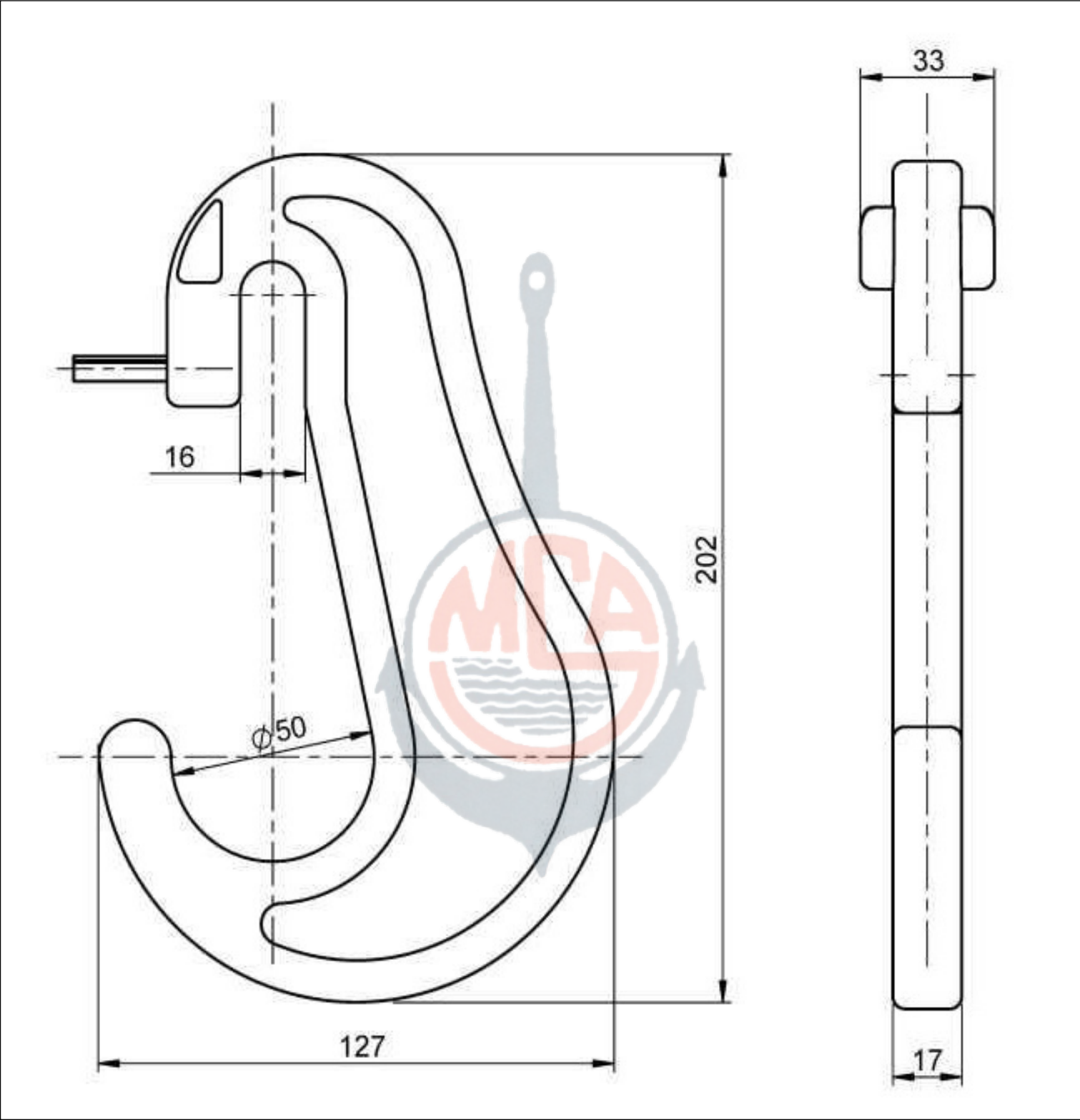
STRENGTH	MBL	SWL
TENSILE	200kN	100kN

STRENGTH	MBL	SWL
SHEAR	NA	NA

STRENGTH	MBL	SWL
COMPRESSION	NA	NA



## DRAWING

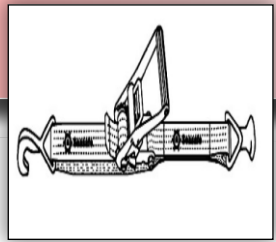


STRENGTH	MBL	SWL
TENSILE	200kN	100kN

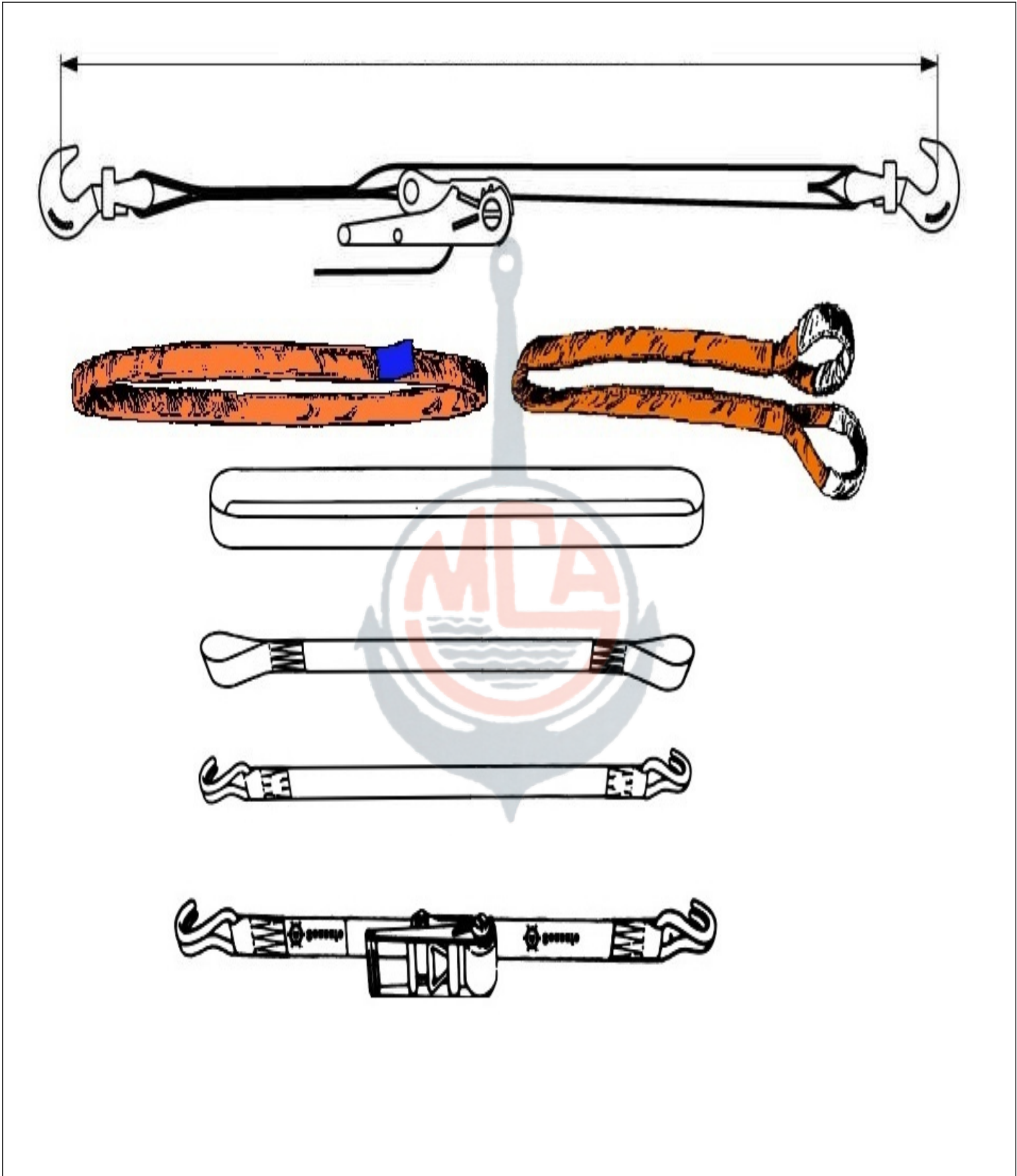
STRENGTH	MBL	SWL
SHEAR	NA	NA

STRENGTH	MBL	SWL
COMPRESSION	NA	NA



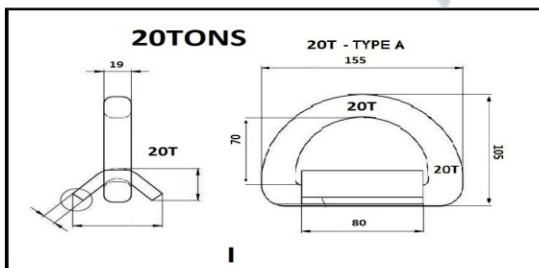
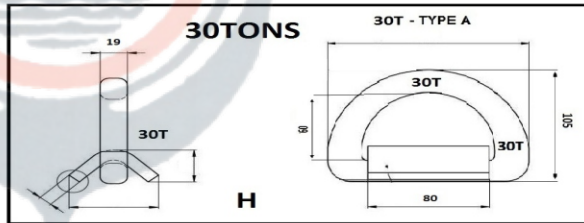
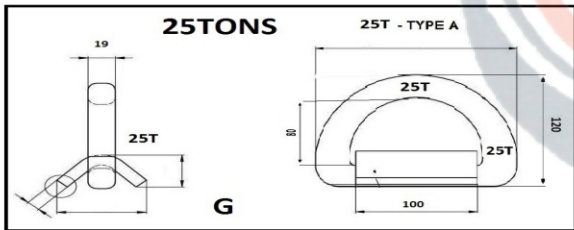
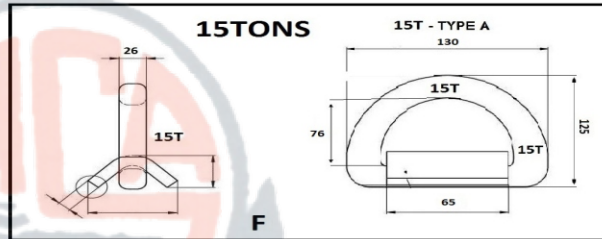
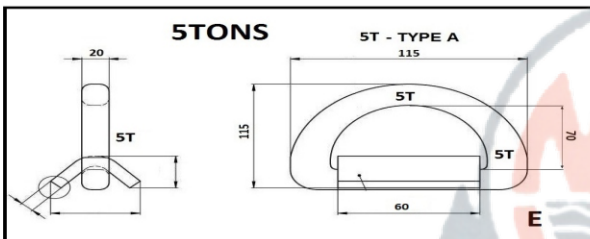
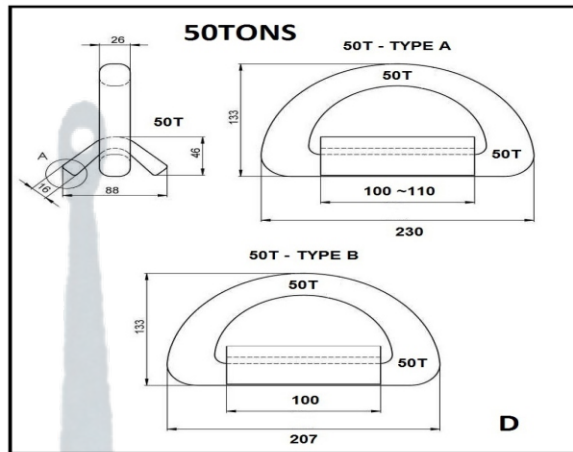
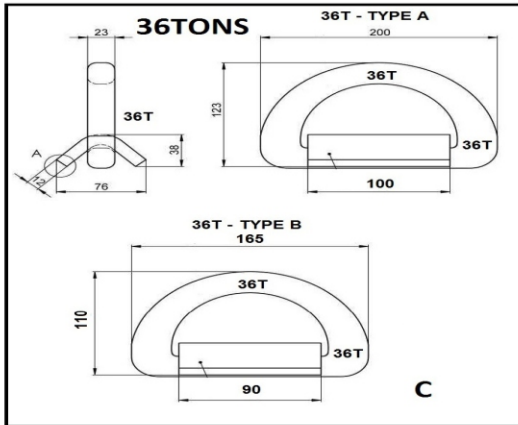
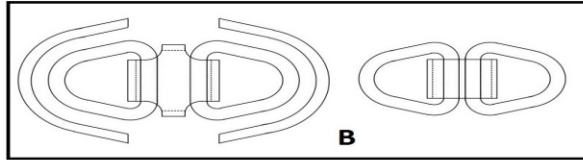
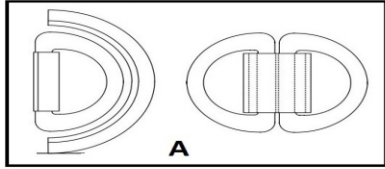


## DRAWING





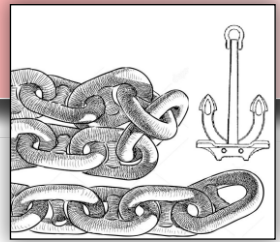
## DRAWING



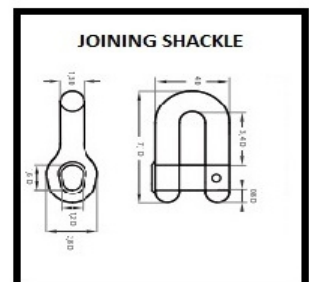
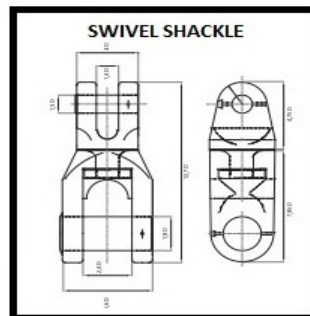
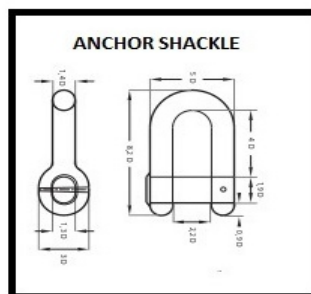
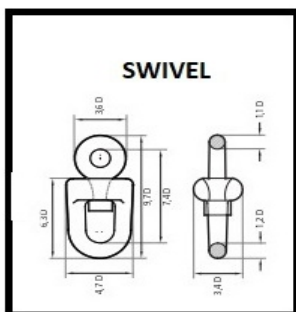
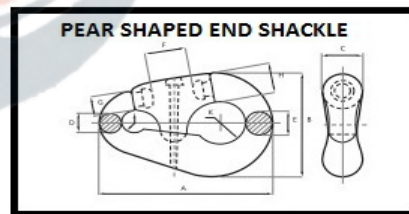
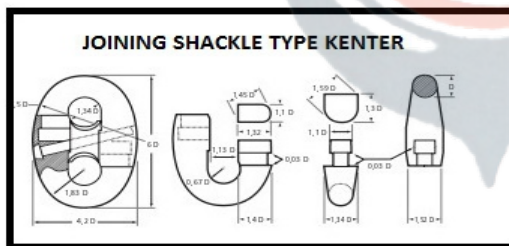
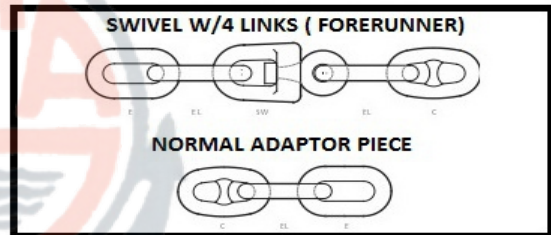
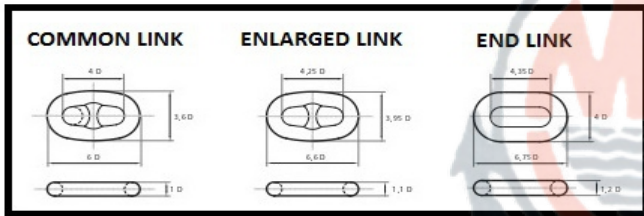
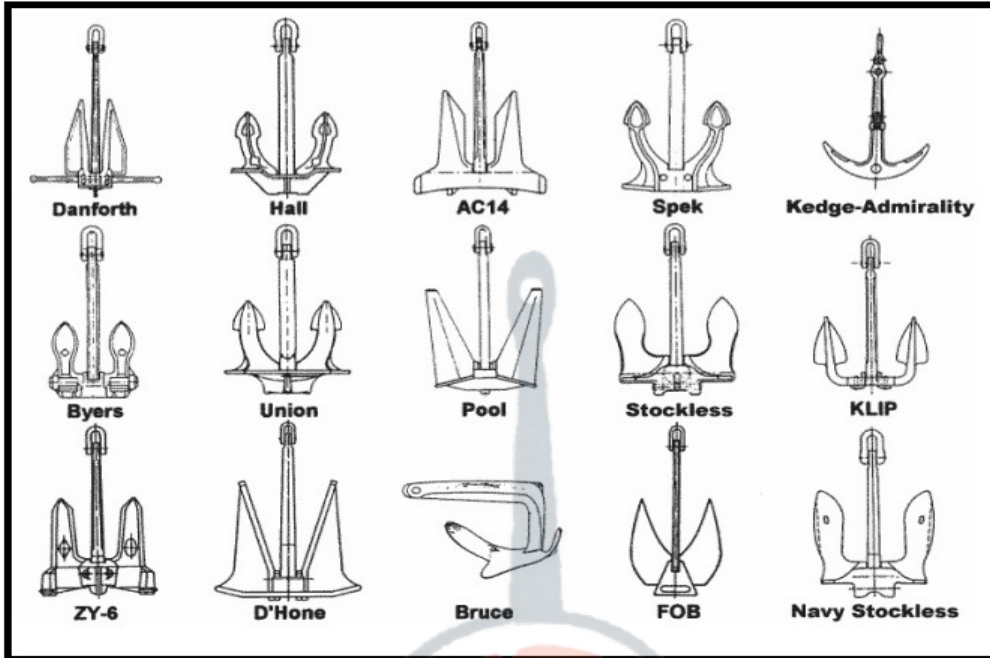
STRENGTH	MBL	SWL
TENSILE	500kN	250kN

STRENGTH	MBL	SWL
SHEAR	NA	NA

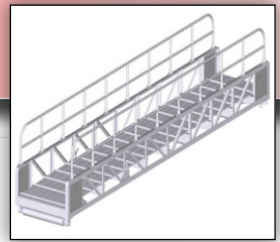
STRENGTH	MBL	SWL
COMPRESSION	NA	NA



## DRAWING







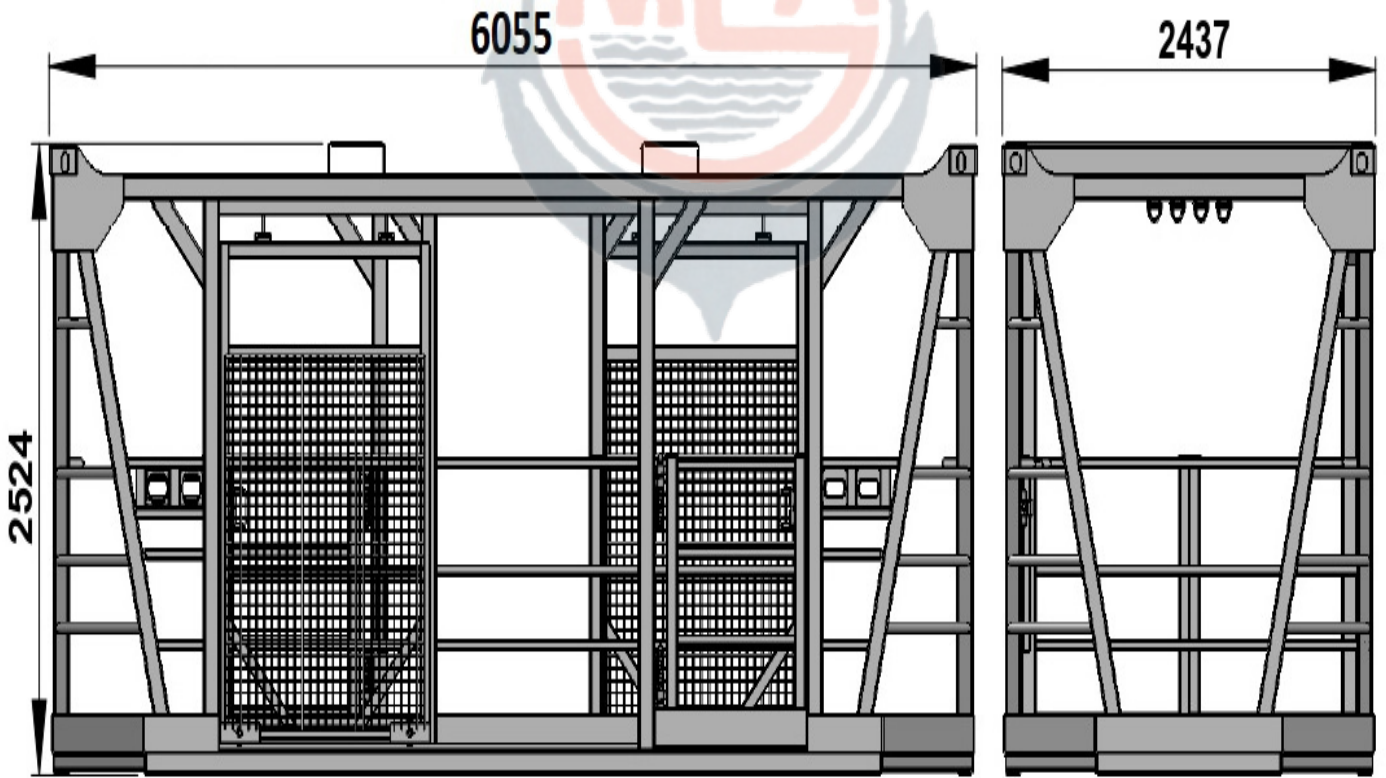
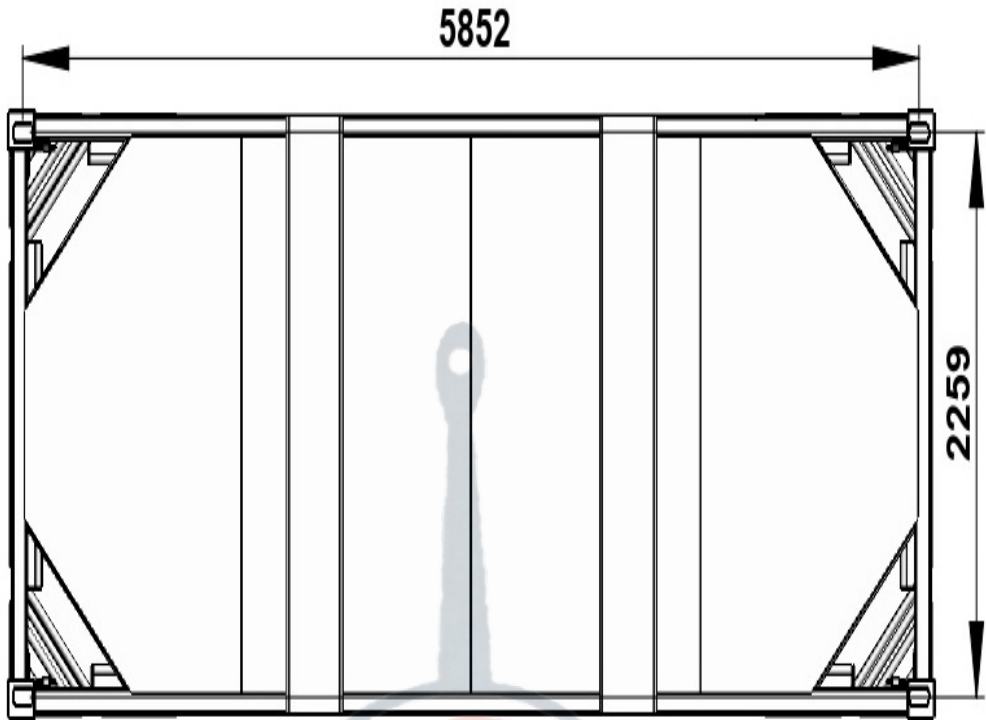
## DRAWING





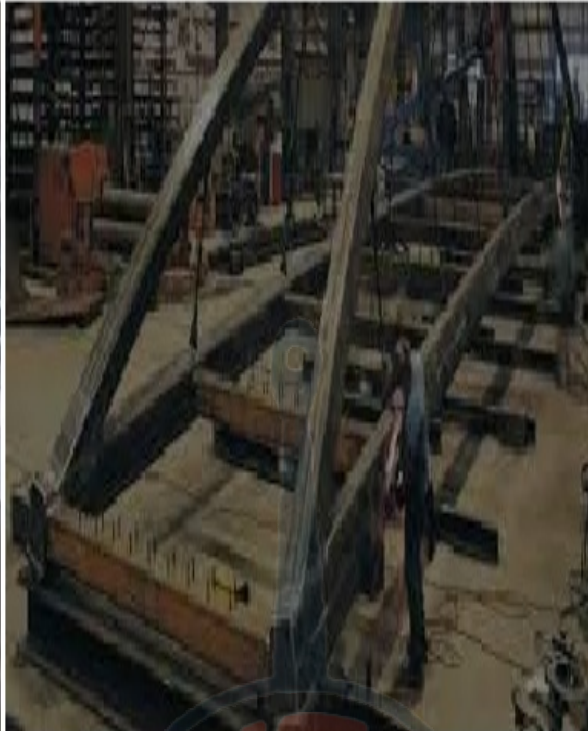


DRAWING





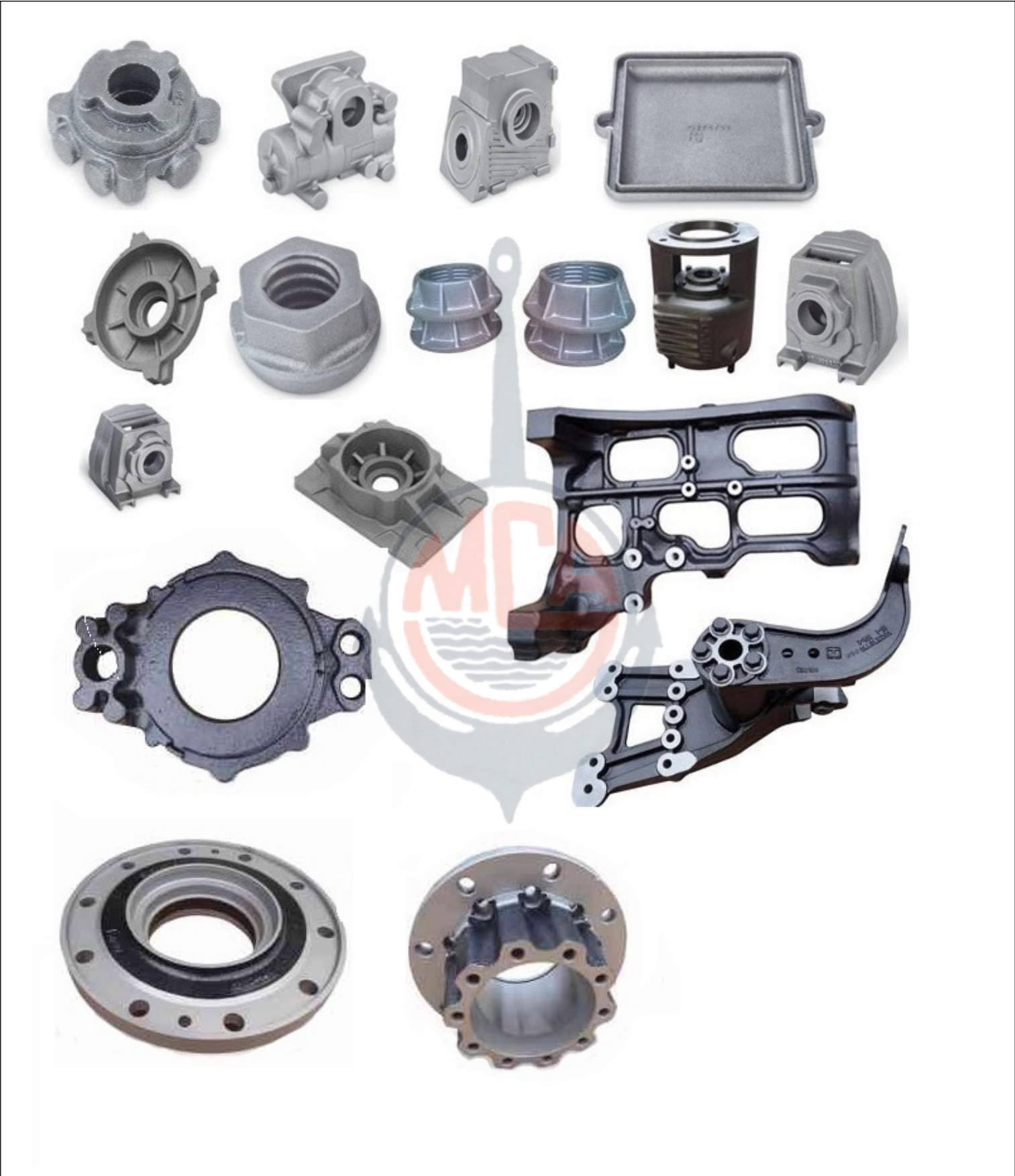
## DRAWING







DRAWING

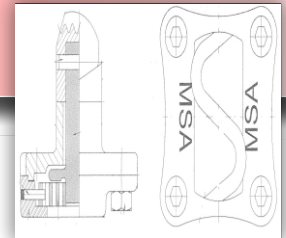




**DRAWING**



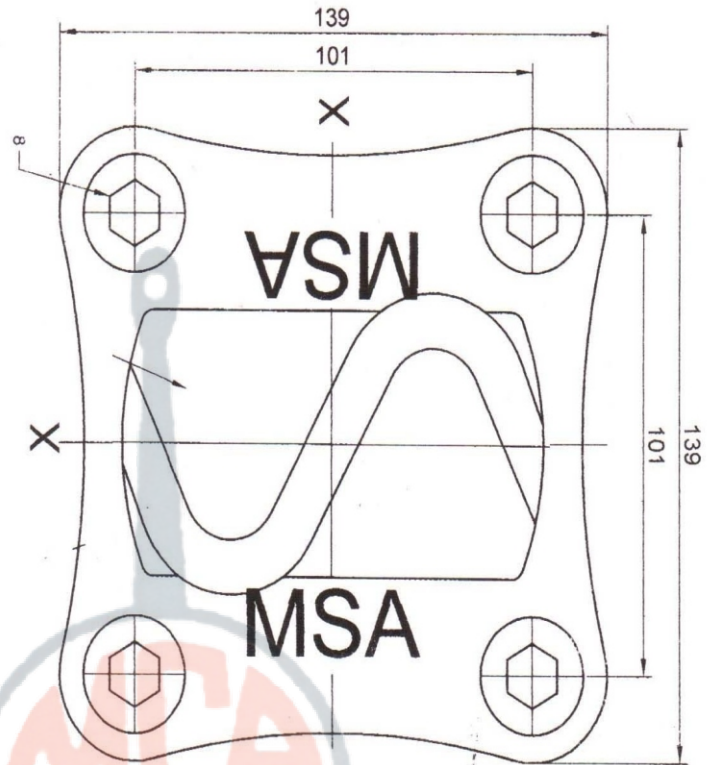




## DRAWING

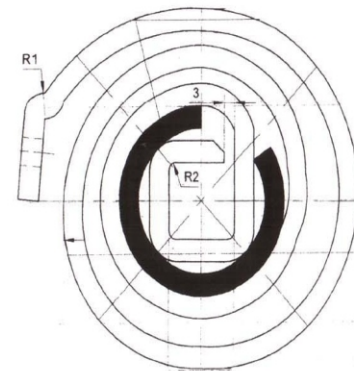
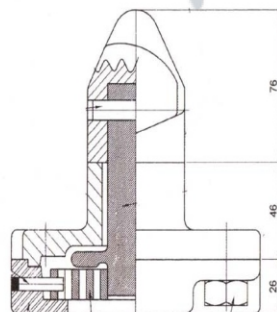
### FEATURES:

- Fully Forged Option.
- Metal springs.
- For ISO Corner Castings.
- Simple and Safe Operation.
- Easy and Simple cost effective Installation.
- Longer Life.
- No Alternation Wagon Required for, Deck Mounted.
- Higher Productivity, Fast Loading and Unloading.
- Few Wearable Parts.
- Fatigue Tested 10,000 Cycles.
- All Spare Parts available.
- Easy Maintenance.
- Patented.
- Unique & Sturdy design for perpetual Life.
- No Left / Right



### SPECIFICATIONS:

Part No	Material	Strength Shear	Weight	Quality Standard	Finished
WT - 1	Forged Steel / Ductile Iron	50 TONS	6.8 KG	AAR Compliant	Hot Dip Galv



**TYPE A**





# MSA LASHING

SINCE 1983

## GET IN TOUCH

### (HEAD OFFICE)

GALA NO, 35, BOMBAY TIMBER MARKET,  
SIGNAL HILL AVENUE, DARUKHANA  
MUMBAI-400010

### (FACTORY)

PLOT NO, 119/120,  
SURSEZ DIAMOND PARK, SACHIN,  
SURAT-394230.

## EMAIL

### (OPERATIONS)

ops@msalashing.com

### (Technical)

tech@msalashing.com

### (Stepney)

msasales@gmail.com

### (Telephone)

+91-22-23746946

+91-22-23713829

### (A.O.H)

+91-22-24112434

+91-22-24110058

### (24x7)

+91-9833134013

## Website

[www.mercantileshipping.com](http://www.mercantileshipping.com)

[www.msalashing.com](http://www.msalashing.com)